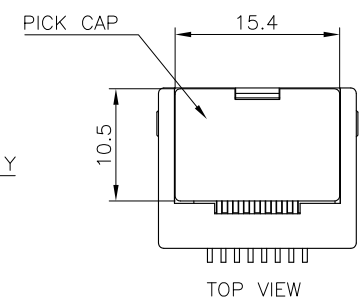
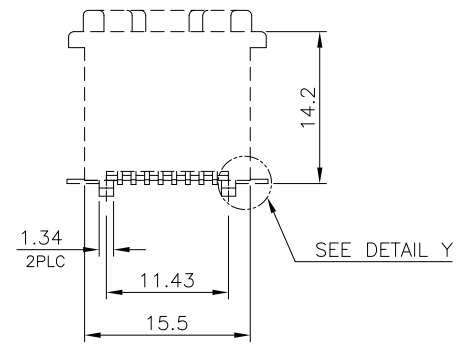
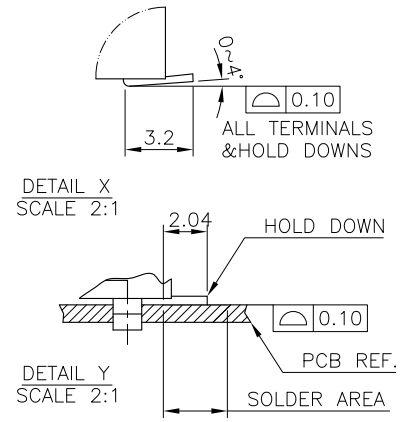
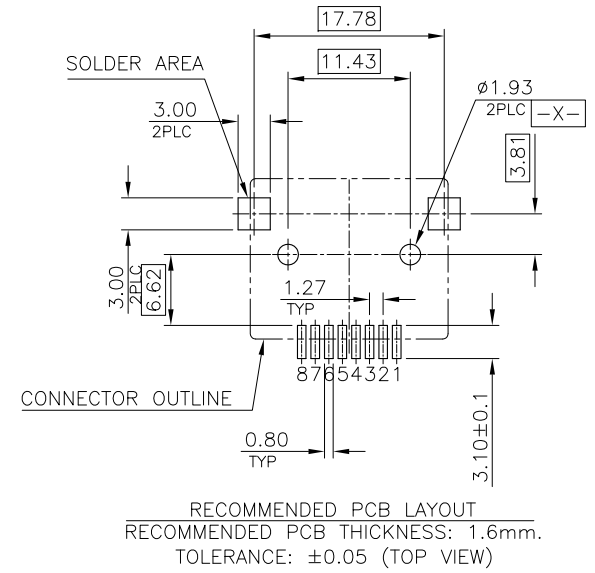
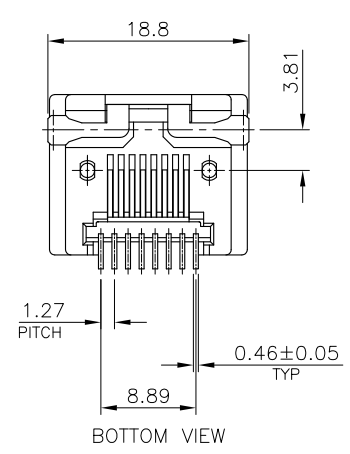
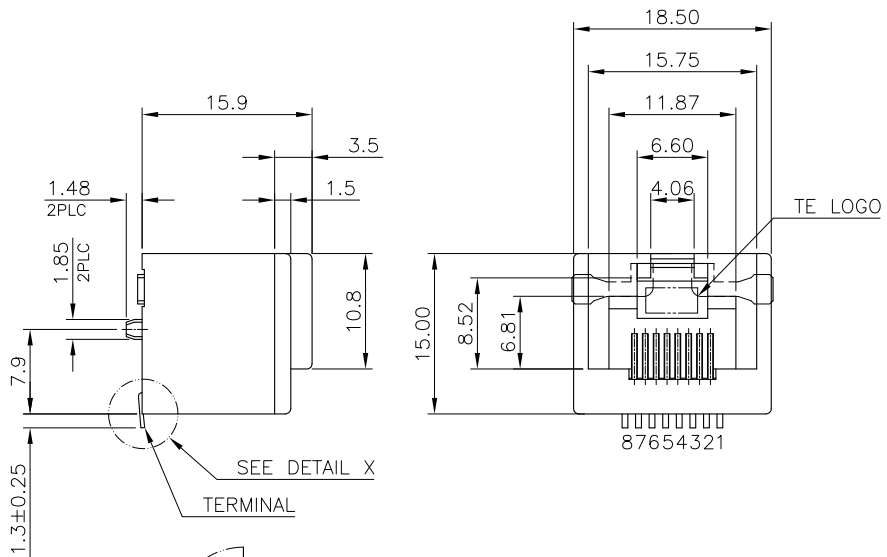


THIS DRAWING IS UNPUBLISHED. RELEASED FOR PUBLICATION
 © COPYRIGHT 2011 BY TYCO ELECTRONICS CORPORATION. ALL RIGHTS RESERVED.

LOC	DW	DIST	REVISIONS					
			P	LTR	DESCRIPTION	DATE	DWN	APVD
					SEE SHEET 1.			

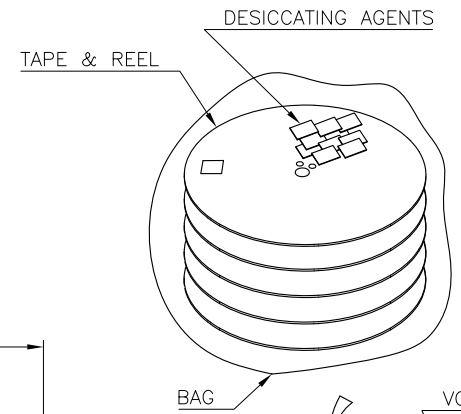
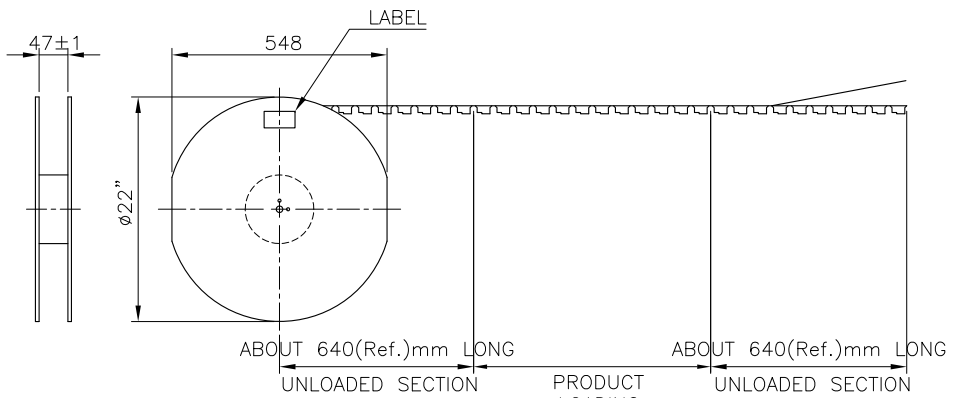


- NOTE:
- MATERIAL:
 - HOUSING: PA9T, WITH 30% GF, UL94 V-0, BLACK COLOR.
 - INSERT HOUSING: PA9T, WITH 30% GF, UL94 V-0, BLACK COLOR.
 - PICK CAP: PA46, WITH 30% GF, UL94 V-0, BLACK COLOR.
 - CONTACTS: PHOSPHOR BRONZE.
 - HOLD DOWN: BRASS.
 - FINISH:
 - CONTACTS: (SEE TABLE) GOLD PLATED ON CONTACT AREA, GOLD FLASH ON SOLDER TAIL, 1.27µm [50u"] MIN. NICKEL UNDERPLATED OVERALL.
 - HOLD DOWN: 2.54µm [100u"] MIN. MATTE TIN PLATED.
 - REFLOW SOLDER CAPABLE TO 260°C PER TEC-109-201, CONDITION B.
 - OBsolete PARTS: OBsolete CIS STREAMLINING PER D.RENAUD/D.SINISI

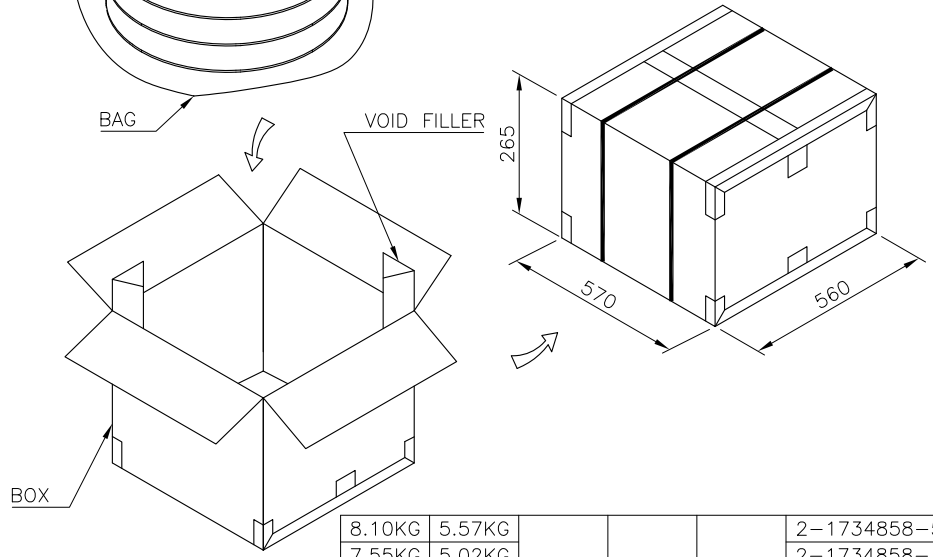
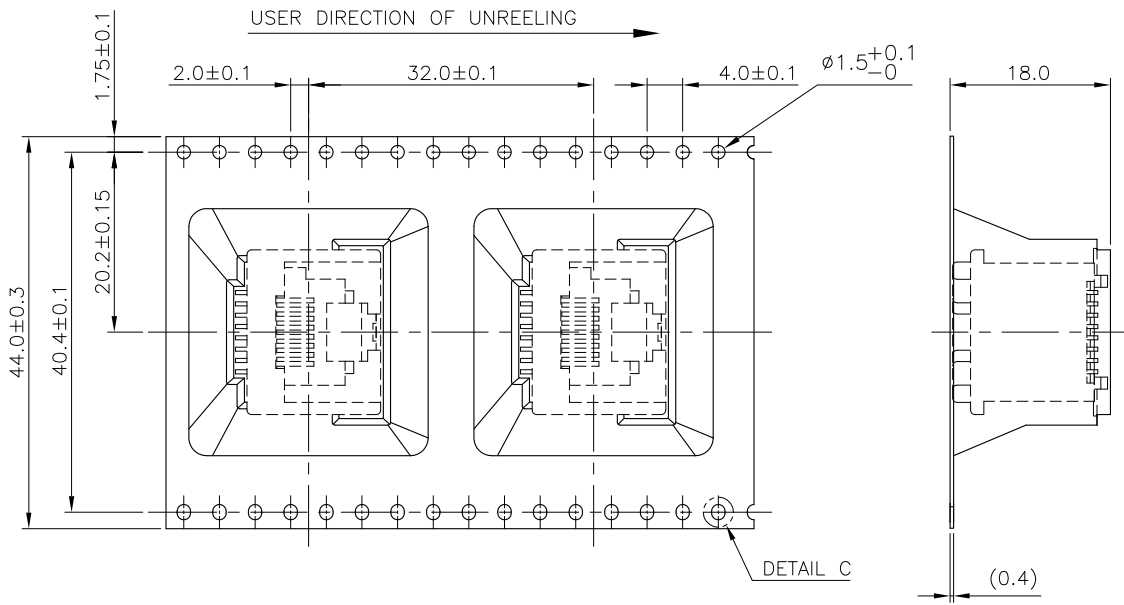
OBSOLETE	8P8C	WITH	1.27µm [50µ"]	2-1734858-8
			0.76µm [30µ"]	2-1734858-7
			0.38µm [15µ"]	2-1734858-6
			0.15µm [6µ"]	2-1734858-5
OBSOLETE	8P8C	WITHOUT	1.27µm [50µ"]	2-1734858-4
			0.76µm [30µ"]	2-1334858-3
			0.38µm [15µ"]	2-1734858-2
			0.15µm [6µ"]	2-1734858-1
	RJ45	PICK CAP	MIN.GOLD THICKNESS	PART NUMBER

THIS DRAWING IS A CONTROLLED DOCUMENT.		DWN	TE Connectivity		
DIMENSIONS: mm		CHK	NAME		
TOLERANCES UNLESS OTHERWISE SPECIFIED:		APVD	MODULAR JACK RJ45/RJ11 TOP ENTRY,SMT TYPE		
0 PLC ± - 1 PLC ± 0.3 2 PLC ± 0.2 3 PLC ± 0.15 4 PLC ± - ANGLES ± - ± 3'		PRODUCT SPEC	SIZE	CAGE CODE	DRAWING NO
MATERIAL		APPLICATION SPEC	A3	00779	©=1734858
FINISH		WEIGHT	CUSTOMER DRAWING		RESTRICTED TO
		CUSTOMER DRAWING	SCALE	SHEET	REV
				2 of 3	A3

LOC	DIST	REVISIONS					
DW		P	LTR	DESCRIPTION	DATE	DWN	APVD
		SEE SHEET 1.					

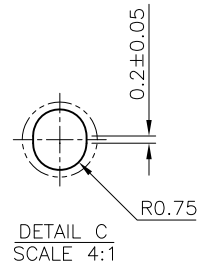
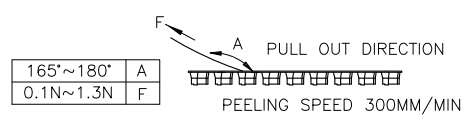


- NOTE:
- PACKAGING MATERIAL:
 - COVER TAPE: COMPOSITE OF POLYETHYLENE TEREPHTHALATE (PET)
 - CARRIER: POLYSTYRENE (PS)
 - CARRIER REEL: CORRUGATED FIBER
 - BAG: PET
 - BOX: CORRUGATED FIBER.
 - EACH BAG SHALL BE INCLUDED:
 - *DESICCANT
 - PEELING STRENGTH: 0.1~1.3N(1~130 GRAMS)
FOR 12~56mm WIDE CARRIER TAPES
 - PEELING SPEED: 300mm/MINUTES.



8.10KG	5.57KG				2-1734858-5~8
7.55KG	5.02KG				2-1734858-1~4
7.50KG	4.91KG	350	4	1400	1-1734858-5~8
7.05KG	4.49KG				1-1734858-1~4
7.10KG	3.88KG				1734858-X
GROSS WEIGHT	NET WEIGHT	PCS/ REEL	REEL/ BOX	PCS/ BOX	PART NUMBER

* COVER TAPE PEELING FORCE:



THIS DRAWING IS A CONTROLLED DOCUMENT.

DIMENSIONS: mm	TOLERANCES UNLESS OTHERWISE SPECIFIED:	DWN	
	0 PLC ±	CHK	
	1 PLC ±0.3	APVD	
	2 PLC ±0.2	PRODUCT SPEC	
	3 PLC ±0.15	APPLICATION SPEC	
	4 PLC ±	WEIGHT	
	ANGLES ± 3'	CUSTOMER DRAWING	

STE TE Connectivity

MODULAR JACK RJ45/RJ11 TOP ENTRY,SMT TYPE

SIZE	CAGE CODE	DRAWING NO	RESTRICTED TO
A3	00779	C=1734858	

SCALE: SHEET 3 of 3 REV A3