

4

3

2

1

THIS DRAWING IS UNPUBLISHED.

RELEASED FOR PUBLICATION

© COPYRIGHT - By -

ALL RIGHTS RESERVED.

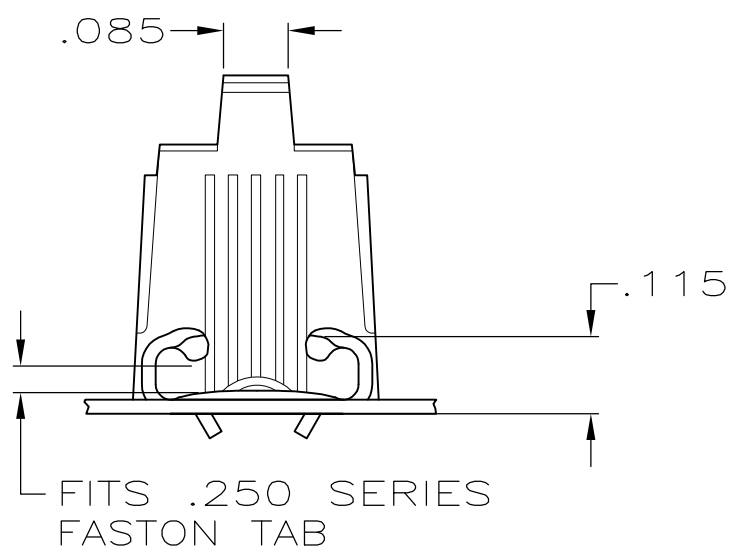
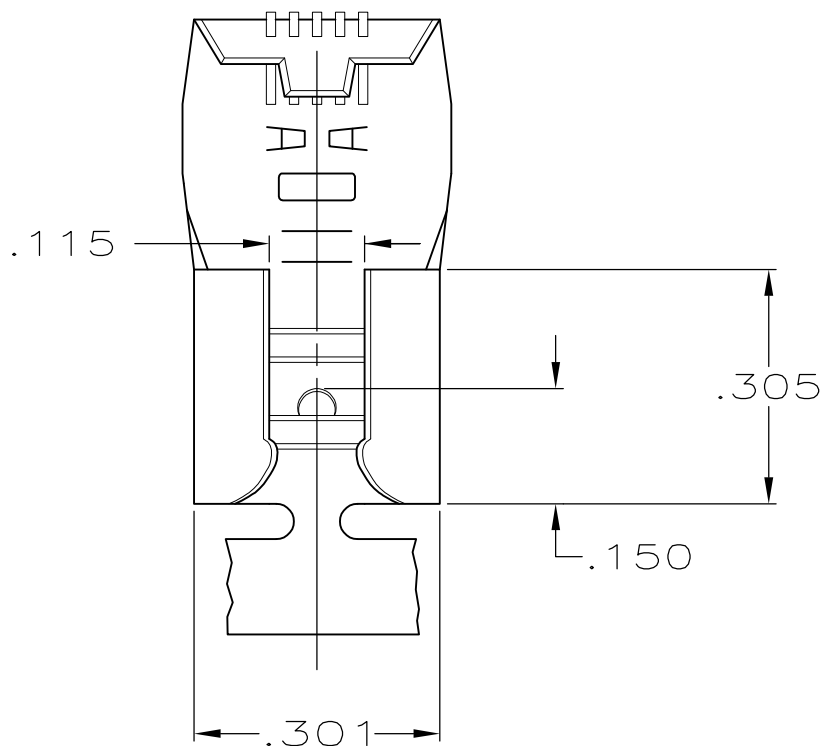
LOC
AF

DIST
50


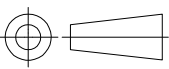
REVISIONS

| P | LTR | DESCRIPTION | DATE | DWN | APVD |
|---|-----|---------------------------|-----------|-----|------|
| | J | REVISED PER ECR-12-013459 | 28NOV2012 | KH | PD |

1 CONTINUOUS STRIP ON REELS.



| | | | | |
|------------------|------------|---------|----------|---------|
| 12-10 OR (2) #14 | .032 ±.001 | PRE-TIN | BRASS | 62011-2 |
| 12-10 OR (2) #14 | .032 ±.001 | --- | BRASS | 62011-1 |
| WIRE SIZE | TAB THK | FINISH | MATERIAL | PART NO |

| | | | | | | | | | | | |
|---|--|----------------------------|--|-------------|------------|--------------------|-----------------------|-----------------|--|-----------------|----------|
| THIS DRAWING IS A CONTROLLED DOCUMENT. | | DWN JR RUTH 2/3/86 |  TE Connectivity RECEPTACLE, FASTON, FLAG, .250 SERIES | | | | | | | | |
| DIMENSIONS: INCHES | | CHK MS FEHER 2/3/86 | | | | NAME | | | | | |
|  | | APVD C MEYERS 2/5/86 | | | | PRODUCT SPEC | | | | | |
| TOLERANCES UNLESS OTHERWISE SPECIFIED: | | APPLICATION SPEC | | | | RESTRICTED TO | | | | | |
| MATERIAL SEE TABLE | | FINISH SEE TABLE | | WEIGHT - | SIZE A3 | CAGE CODE 00779 | DRAWING NO C-62011 | SCALE NTS | | SHEET 1 OF 1 | REV J |
| CUSTOMER DRAWING | | | | | | SCALE NTS | | SHEET 1 OF 1 | | REV J | |