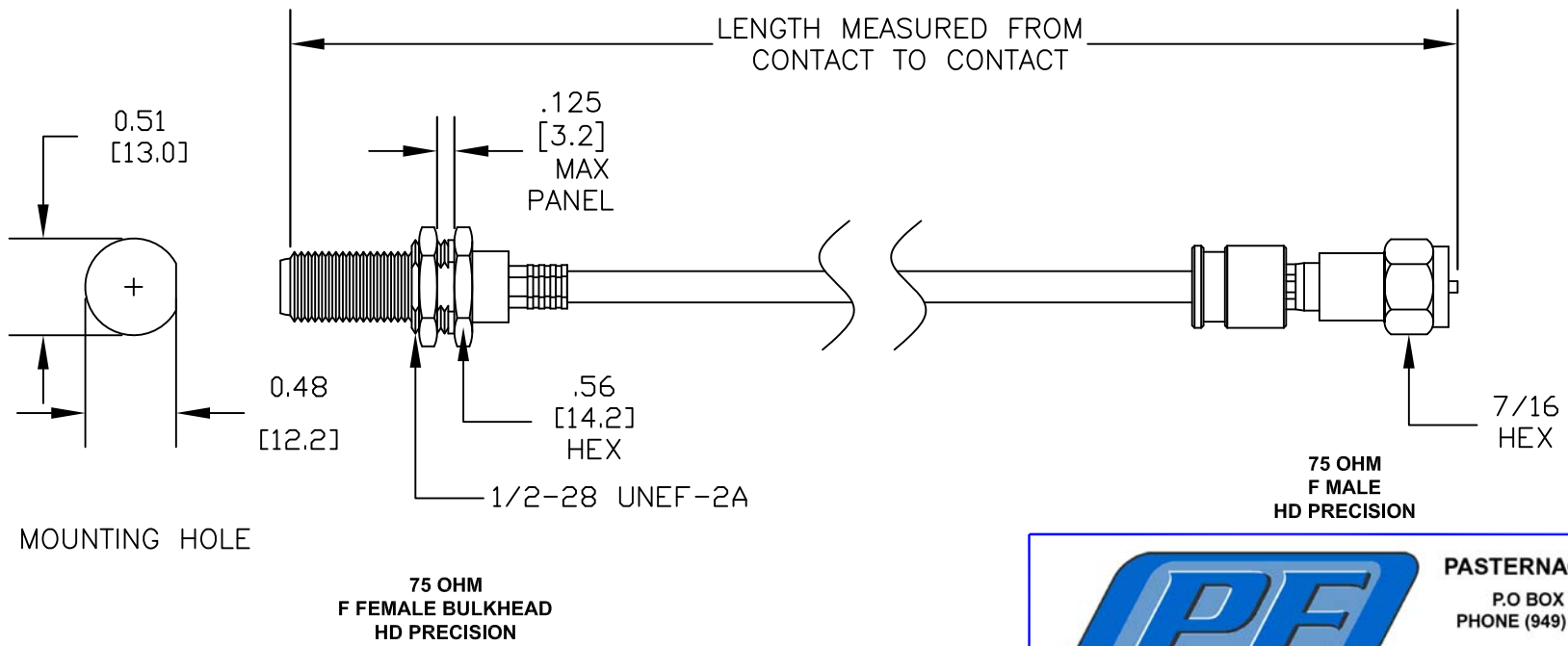


| COMPONENTS | IMPEDANCE |
|-------------------|-----------|
| F FEMALE BULKHEAD | 75 OHM |
| F MALE | 75 OHM |
| PE-B159 | 75 OHM |
| | |

| Part Configurator | |
|--------------------------------------|-------------------------|
| 1. Replace ZZ with color codes. | |
| 2. Replace XX with length in inches. | |
| Standard Lengths | |
| -12 | 12" |
| -24 | 24" |
| -36 | 36" |
| -48 | 48" |
| -60 | 60" |
| -XXX | Custom Length in inches |
| | |

| Color Codes | |
|-------------|--------|
| BK | Black |
| BL | Blue |
| GR | Green |
| RD | Red |
| WH | White |
| YW | Yellow |
| | |



PASTERNAK ENTERPRISES, INC.

P.O BOX 16759, IRVINE, CA 92623
PHONE (949) 261-1920 FAX (949) 261-7451

WEB ADDRESS: www.pasternack.com
E-MAIL ADDRESS: sales@pasternack.com

COAXIAL & FIBER OPTICS

| | |
|----------------------|---|
| DWG TITLE | DES. |
| PE38138/ZZ-XX | CABLE ASSEMBLY, PE-B159, 75 OHM HD PRECISION, F FEMALE BULKHEAD TO F MALE |

| | | | | | |
|--------|----------------|-----------------|-----------|--------|------|
| REV. D | FSCM NO. 53919 | CAD FILE 082411 | SCALE N/A | SIZE A | 2231 |
|--------|----------------|-----------------|-----------|--------|------|

- NOTES:**
- UNLESS OTHERWISE SPECIFIED ALL DIMENSIONS ARE NOMINAL.
 - ALL SPECIFICATIONS ARE SUBJECT TO CHANGE WITHOUT NOTICE AT ANY TIME.
 - DIMENSIONS ARE IN INCHES [mm].
 - LENGTH TOLERANCE IS ± 1.5% OR 3/8", WHICHEVER IS GREATER.