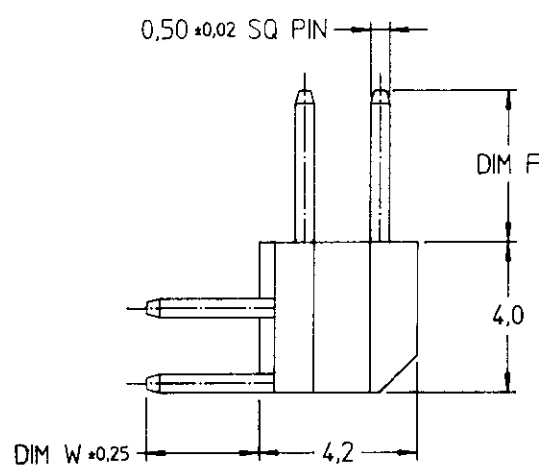
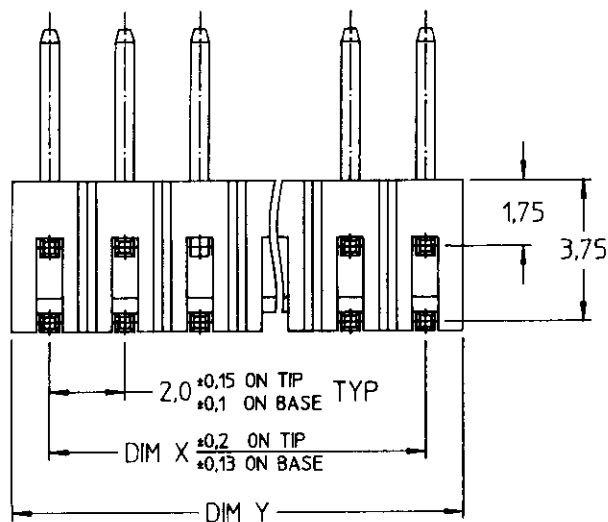
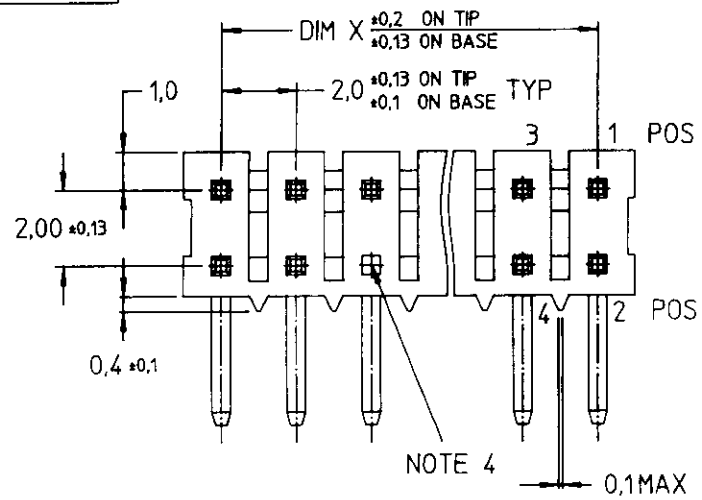

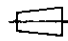


PRODUCT NO
SEE TABLE

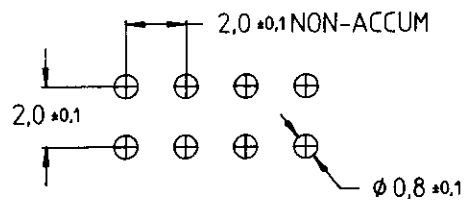
REV	DESCRIPTION	REVD BY	DATE
A	RLSD ECR S60197	BS LOW	13AUG96
B	ECR S60308	BS LOW	03DEC96
C	ECR S70009	BS LOW	15JAN97



CUSTOMER COPY

GEN. TOLERANCES		DO NOT SCALE DWG. MM		BERG ELECTRONICS
REFER TO NOTE 2		 		
		NAME	DATE	DESCRIPTION
DRAWN	BS LOW		13AUG96	MINITEK II R/A HDR RETENTIVE LEG
CHECKED	<i>Paul</i>		13 Aug 96	PRODUCT NO. 69074
APPROVED	<i>Paul</i>		13.8.96	SCALE
				SHT 1 OF 2

PRODUCT NO	POS	POL. POS	'KINK' POS	DIM X	DIM Y	DIM F	DIM W	DIM V	PLATING	REV
69074-001	2X4	-	3,4,5,6	6	8	4,0	3,0	1,1	0,76um Au OVER Ni	A
002	2X4	-	3,4,5,6	6	8	8,0	3,0	1,1	0,76um Au OVER Ni	B
003	2X5	-	3,4,5,6	8	10	4,0	3,0	1,1	0,2um Au OVER Ni	C
004	2X17	-	15,16,17,18	32	34	4,0	3,0	1,1	0,2um Au OVER Ni	



RECOMMENDED HOLE LAYOUT



FIG. 1
NOTE 3

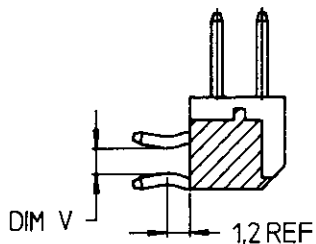


FIG. 2
NOTE 5

NOTES

- MATERIAL
BODY : HIGH TEMPERATURE PLASTIC UL 94V-0 BLACK
PIN : COPPER ALLOY
- TOLERANCE UNLESS OTHERWISE NOTED ±0,25
- STAND-OFF DESIGN FOR 2X2 POS. REFERS TO FIG. 1.
- POLARISED BY OMISSION OF PINS. REFER TO TABLE FOR POSITION.
- FIG. 2 APPLY TO RETENTIVE FEATURE ONLY. REFER TO TABLE FOR 'KINK' POSITIONS.

CUSTOMER COPY

GEN. TOLERANCES	DO NOT SCALE DWG. MM		
REFER TO NOTE 2			
	NAME	DATE	MINITEK II R/A HDR RETENTIVE LEG
DRAWN	BS LOW	13AUG96	PRODUCT NO. 69074
CHECKED	<i>[Signature]</i>	13 Aug 96	SCALE
APPROVED	<i>[Signature]</i>	13 Aug 96	SHT 2 OF 2