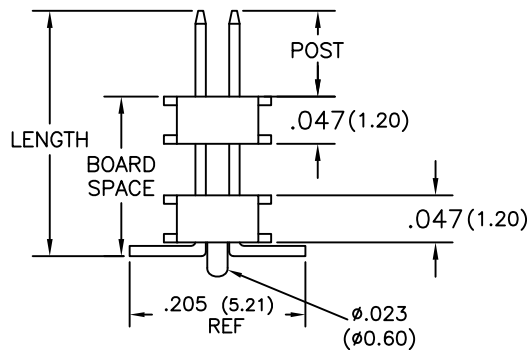
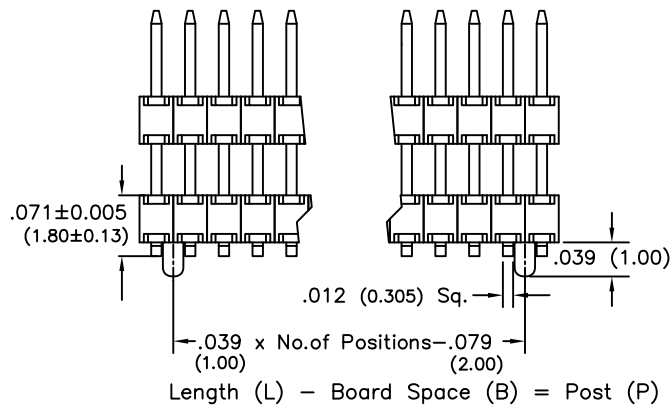
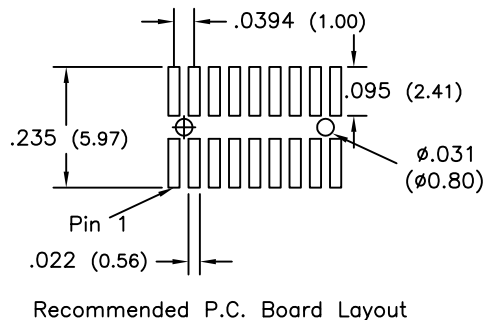
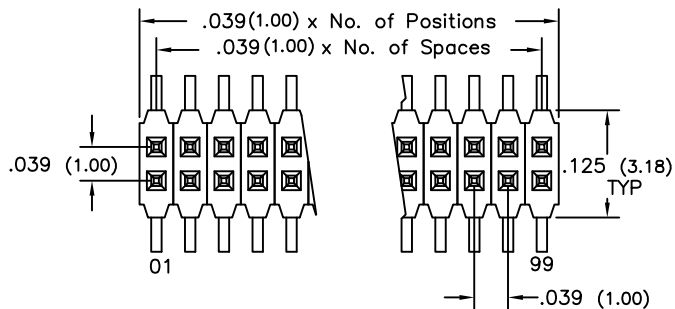


# Major League Electronics .039 cl Board Stacker Terminal Strips - Surface Mount



Tails may be clipped to achieve desired pin length

## Ordering Information

BSTCM-7 [X] - D - [X] - [X] - [X] - [X] - [X] - [X] - [X] - [X] - LF

Pins Per Row: 01 - 50  
 Row Specification: D = Dual Row  
 Desired Post Height: Please specify e.g. .100 (2.54) = 100  
 Lead Free  
 Alignment Pin: Leave blank if not needed AP = With

Pin Options		
Length		
.136	3.45mm	04
.186	4.72mm	06
.236	5.99mm	08
.286	7.26mm	10
.336	8.53mm	12
.386	9.80mm	14

Packing Information  
 TR-P = Tape and Reel with Plastic Pick and Place pad  
 TB-P = Tube with Plastic Pick and Place pad  
 TB-0 = Tube without Pick and Place Pad  
 If left blank, packaging at MLE's discretion  
 Pad may be metal, mylar or plastic

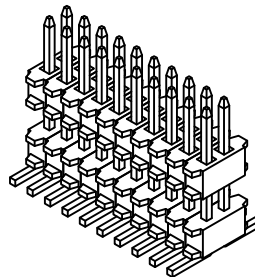
Polarized Position  
 Leave blank if not needed  
 If required, specify empty pin position, e.g. 012 for Pin 12

Desired Board Space  
 Please specify e.g. .100 (2.54) = 100

Plating Options	
F	Gold Flash Over Entire Pin
T	200µ Matte Tin All Over

## Specifications

Current Rating: 1.0 Ampere  
 Insulation Resistance: 500MΩ Min.  
 Dielectric Withstanding: 600V AC  
 Contact Resistance: 20 mΩ Max.  
 Operating Temperature: -40°C to +105°C  
 Max. Process Temperature:  
 Peak: 260°C up to 10 secs.  
 Process: 230°C up to 60 secs.  
 Wave: 260°C up to 6 secs.  
 Reflow: 260°C up to 10 secs.  
 Manual Solder: 350°C up to 5 secs.



## Materials

Contact Material: Phosphor Bronze  
 Insulator Material: Nylon 6T

Products cut to specific sizes are uncancellable/nonreturnable

Parts are subject to change without notice

BSTCM-7-D SERIES

.039 cl Dual Row - Surface Mount  
 Board Stacker Terminal Strips

28 FEB 07

Scale  
 NTS

UNLESS OTHERWISE SPECIFIED  
 DIMENSIONS IN INCHES (MM)  
 TOLERANCES ARE:

ONE PLACE DECIMALS ±.100  
 TWO PLACE DECIMALS ±.010  
 THREE PLACE DECIMALS ±.005  
 FOUR PLACE DECIMALS ±.0020  
 ANGLES  
 35°



4235 Earnings Way, New Albany, Indiana, 47150, USA  
 1-800-782-3486 (USA/Canada/Mexico)  
 Tel: 812-944-7244  
 Fax: 812-944-7268  
 E-mail: mle@mlelectronics.com  
 Web: www.mlelectronics.com

Revision  
 D

Sheet  
 1/2

# Revisions

Revision D - (16th Dec 2011)

Alignment Pin option added.

Revision C - (8th Dec 2011)

Plating options amended.

Removed:

H: 30 $\mu$  Gold On Contact Area / Matte Tin On Tail

G: 10 $\mu$  Gold On Contact Area / Flash On Tail

GT: 10 $\mu$  Gold On Contact Area / Matte Tin On Tail

Added:

F: Gold Flash Over Entire Pin

Revision B - (20th Mar 2008)

Amendment to packing options in ordering grid.

Revision A

TR-P = Tape and Reel with Plastic Pick and Place pad

TR-M = Tape and Reel with Metal Pick and Place pad

TR-K = Tape and Reel with Kapton Tape Pick and Place pad

TB-P = Tube with Plastic Pick and Place pad

TB-M = Tube with Metal Pick and Place pad

TB-K = Tube with Kapton Tape Pick and Place pad

TB-0 = Tube without Pick and Place Pad

BK-0 = Bulk without Pick and Place Pad

Revision B

TR-P = Tape and Reel with Plastic Pick and Place pad

TB-P = Tube with Plastic Pick and Place pad

TB-0 = Tube without Pick and Place Pad

*If left blank, packaging at MLE's discretion*

*Pad may be metal, mylar or plastic*

	<b>BSTCM-7-D SERIES</b>	.039 cl Dual Row - Surface Mount Board Stacker Terminal Strips	<b>28 FEB 07</b>	Scale NTS
UNLESS OTHERWISE SPECIFIED DIMENSIONS IN INCHES (MM) TOLERANCES ARE:  ONE PLACE DECIMALS $\pm .100$ TWO PLACE DECIMALS $\pm .010$ THREE PLACE DECIMALS $\pm .005$ FOUR PLACE DECIMALS $\pm .0020$  ANGLES 30°		4235 Earnings Way, New Albany, Indiana, 47150, USA 1-800-782-3486 (USA/Canada/Mexico) Tel: 812-944-7244 Fax: 812-944-7268 E-mail: mle@mlelectronics.com Web: www.mlelectronics.com		Revision D
				Sheet 2/2