



TAI-SAW TECHNOLOGY CO., LTD.

No. 3, Industrial 2nd Rd., Ping-Chen Industrial District,
Taoyuan, 324, Taiwan, R.O.C.

TEL: 886-3-4690038 FAX: 886-3-4697532

E-mail: tstsales@mail.taisaw.com Web: www.taisaw.com

Approval Sheet For Product Specification

Issued Date: Sep, 9, 2005

Product Name: SAW Filter 830.05 MHz SMD 3.8X3.8 mm

TST Parts No.:TA0511A

Customer Parts No.:_____

Company:_____
Division:_____
Approved by :_____
Date:_____

Checked by:_____ Bob Chau

Approval by:_____ Francis Chen

Date:_____ 9, 9, 2005



TAI-SAW TECHNOLOGY CO., LTD.

No. 3, Industrial 2nd Rd., Ping-Chen Industrial District,
Taoyuan, 324, Taiwan, R.O.C.

TEL: 886-3-4690038 FAX: 886-3-4697532

E-mail: tstsales@mail.taisaw.com Web: www.taisaw.com

SAW Filter 830.05 MHz

MODEL NO.: TA0511A

REV. NO.:1

A. MAXIMUM RATING:

1. Input Power Level: 13 dBm
2. DC voltage: 5 V
3. Operating Temperature: -20°C to +70°C
4. Storage Temperature: -30°C to +85°C

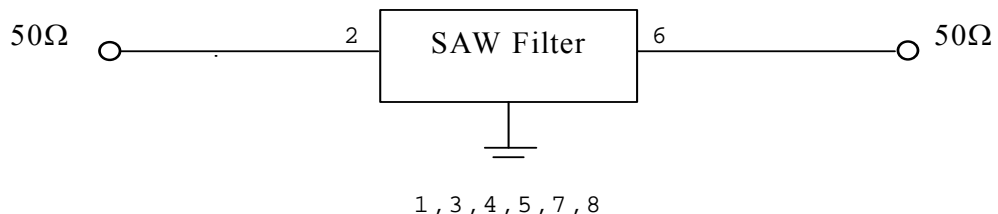
RoHS Compliant
Lead free
Lead-free soldering

B. ELECTRICAL CHARACTERISTICS:

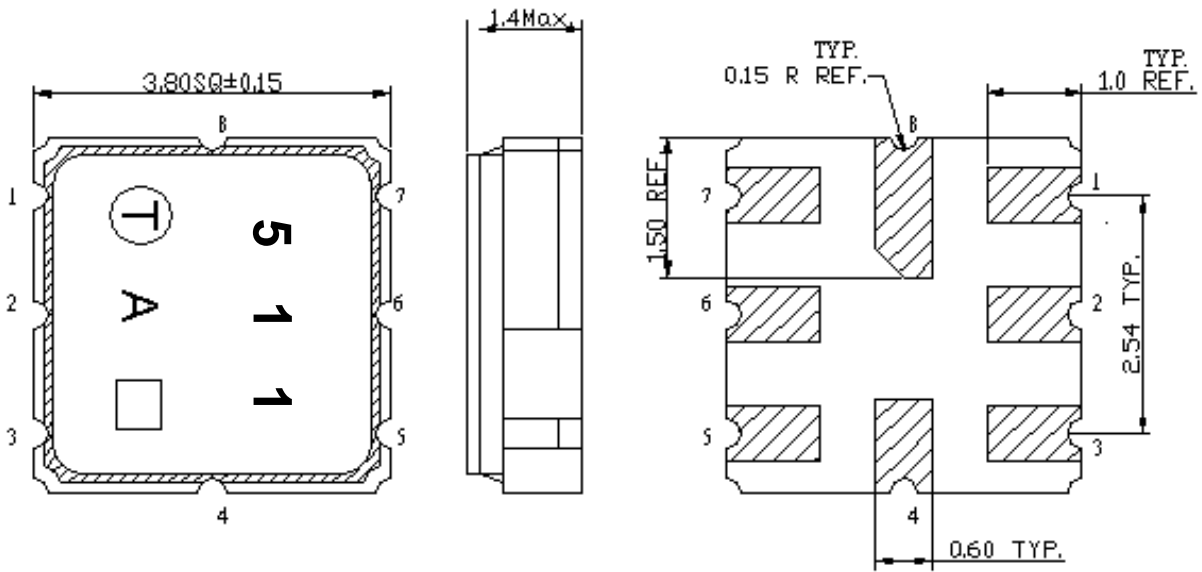
Item	Unit	Min.	Typ.	Max.
Center frequency F_o	MHz	-	830.05	-
1.5-dB Bandwidth	MHz	-	F _o ±4.5	-
Operational Bandwidth	MHz	825.5	-	834.6
Insertion Loss at F _o	dB	-	2.7	4.5
Amplitude Variation (825.5~834.6 MHz)	dB	-	0.5	1.5
Attenuation (Reference level from 0 dB)				
0 ~ 808 MHz	dB	35	58	-
808 ~ 816 MHz	dB	10	32	-
842 ~ 850 MHz	dB	10	24	-
850 ~ 858 MHz	dB	30	40	-
858 ~ 2000 MHz	dB	34	38	-
Input/Output VSWR (825.5~834.6 MHz)		-	1.7	2.5
Source impedance Z_s	Ω	-	50	-
Load impedance Z_L	Ω	-	50	-

C. MEASUREMENT CIRCUIT:

HP Network analyzer

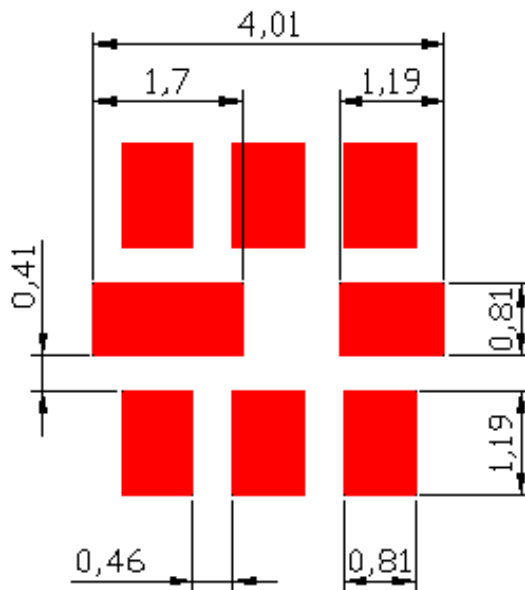


D. OUTLINE DRAWING:

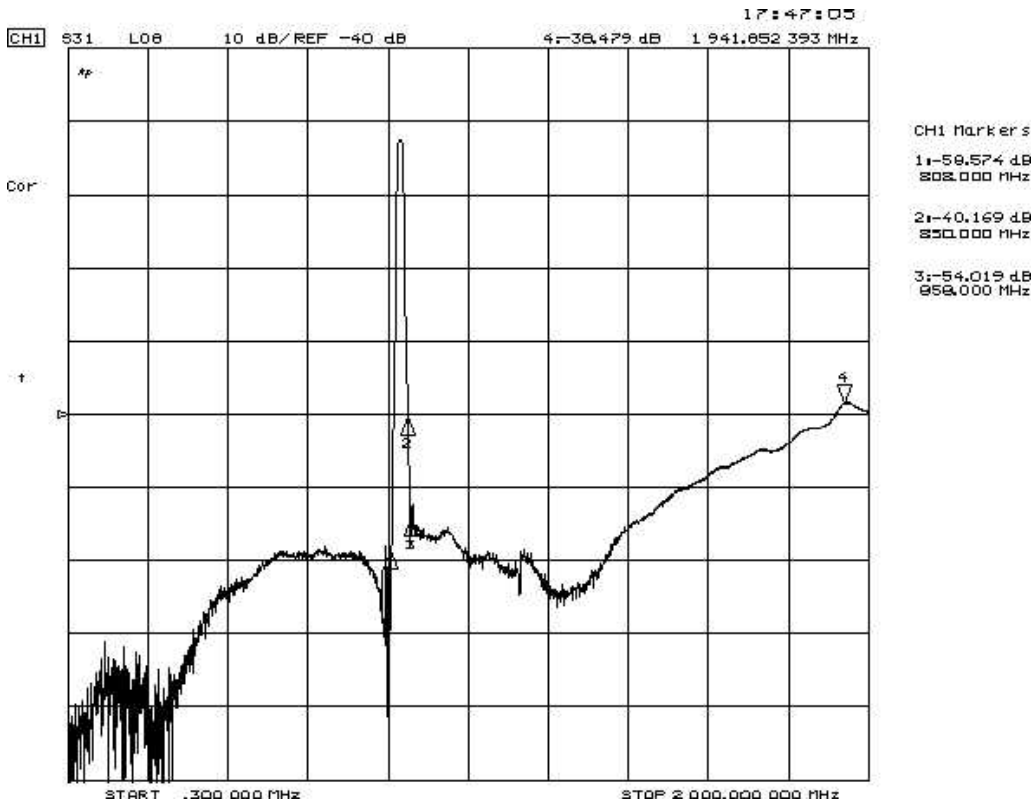
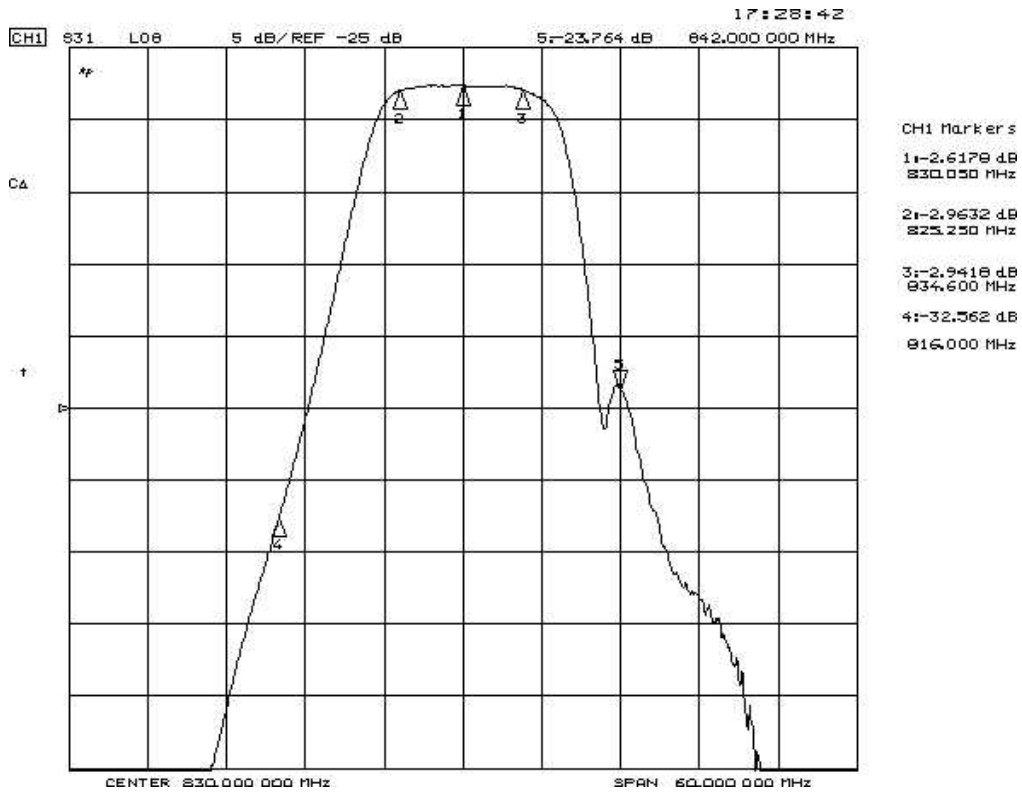


- 2 : Input
- 6: Output
- 1,3,4,5,7,8: Ground
- : Date Code
- Unit: mm

E. PCB Footprint:

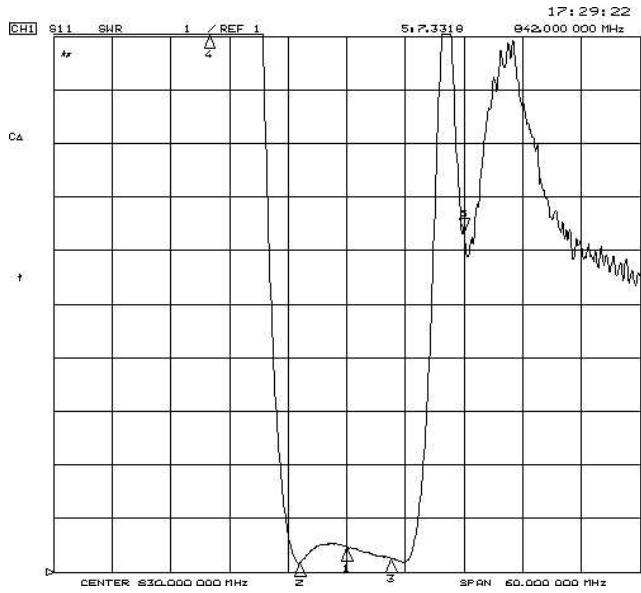


F. Frequency Characteristics : Transfer function

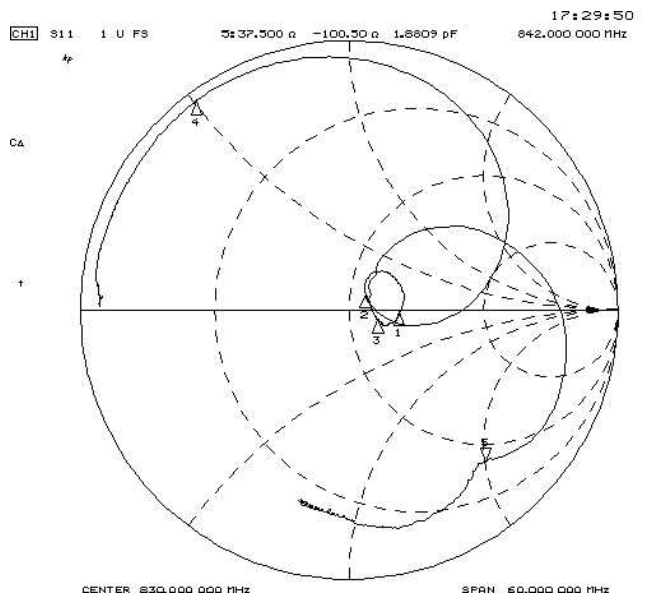


Reflections Functions :

S11

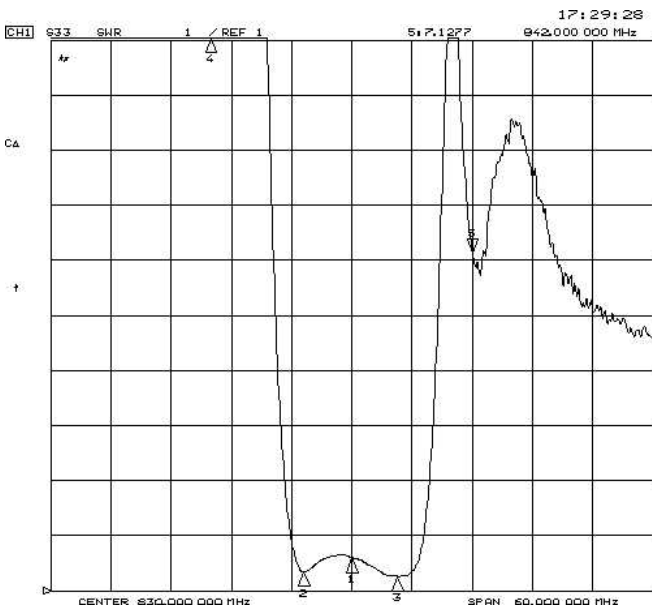


CHI Markers
1: 1.4619
830.050 MHz
2: 1.1872
825.250 MHz
3: 1.2554
834.600 MHz
4: 51.789
816.000 MHz

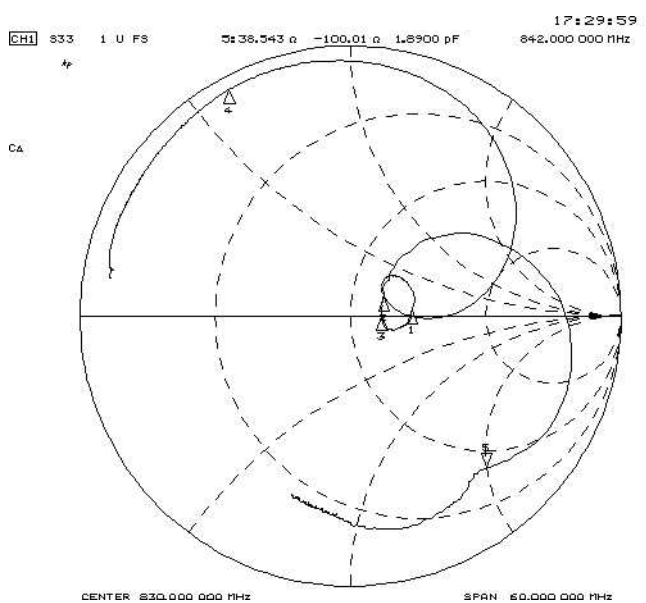


CHI Markers
1: 73.043 0
-972.66 m0
830.050 MHz
2: 56.082 0
-6.7812 0
825.250 MHz
3: 61.953 0
-4.4375 0
834.600 MHz
4: 1.2051 0
25.342 0
816.000 MHz

S22



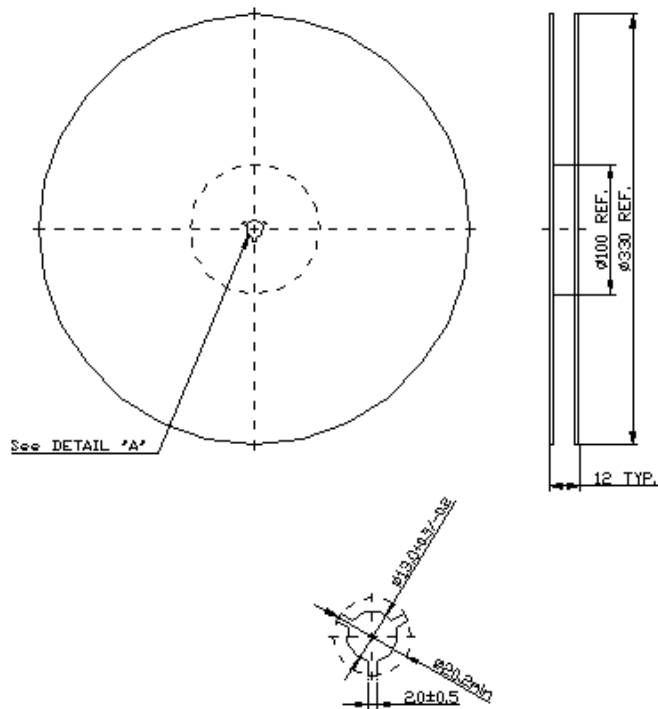
CHI Markers
1: 1.5953
830.050 MHz
2: 1.3390
825.250 MHz
3: 1.2657
834.600 MHz
4: 39.413
816.000 MHz



CHI Markers
1: 79.426 0
4.0586 0
830.050 MHz
2: 63.672 0
9.2539 0
825.250 MHz
3: 63.260 0
0.0742 0
834.600 MHz
4: 1.7061 0
25.962 0
816.000 MHz

G. PACKING:

1. REEL DIMENSION



2. TAPE DIMENSION

