

## GI3055S

### N-CHANNEL ENHANCEMENT MODE POWER MOSFET

BVDSS	20V
RDS(ON)	25mΩ
ID	18A

### Description

The GI3055S provide the designer with the best combination of fast switching, ruggedized device design, low on-resistance and cost-effectiveness.

The through-hole version (TO-251) is available for low-profile applications and suited for low voltage applications such as DC/DC converters.

### Features

- \*Low Gate Charge
- \*Simple Drive Requirement
- \*Fast Switching

### Package Dimensions

**TO-251**

**Marking :**

REF.	Millimeter		REF.	Millimeter	
	Min.	Max.		Min.	Max.
A	6.40	6.80	G	0.50	0.70
B	5.20	5.50	H	2.20	2.40
C	6.80	7.20	J	0.45	0.55
D	7.20	7.80	K	0.45	0.60
E	2.30 REF.		L	0.90	1.50
F	0.60	0.90	M	5.40	5.80

### Absolute Maximum Ratings

Parameter	Symbol	Ratings	Unit
Drain-Source Voltage	$V_{GS}$	20	V
Gate-Source Voltage	$V_{GS}$	±8	V
Continuous Drain Current, $V_{GS}@10V$	$I_D @T_C=25^{\circ}C$	18	A
Continuous Drain Current, $V_{GS}@10V$	$I_D @T_C=100^{\circ}C$	10	A
Pulsed Drain Current <sup>1</sup>	$I_{DM}$	30	A
Total Power Dissipation	$P_D @T_C=25^{\circ}C$	28	W
Linear Derating Factor		0.22	W/°C
Operating Junction and Storage Temperature Range	$T_j, T_{stg}$	-55 ~ +150	°C

### Thermal Data

Parameter	Symbol	Value	Unit
Thermal Resistance Junction-case Max.	Rthj-c	4.5	°C/W
Thermal Resistance Junction-ambient Max.	Rthj-a	110	°C/W

**Electrical Characteristics (T<sub>j</sub> = 25°C unless otherwise specified)**

Parameter	Symbol	Min.	Typ.	Max.	Unit	Test Conditions
Drain-Source Breakdown Voltage	BV <sub>DSS</sub>	20	-	-	V	V <sub>GS</sub> =0, I <sub>D</sub> =250uA
Breakdown Voltage Temperature Coefficient	$\Delta BV_{DSS} / \Delta T_j$	-	0.037	-	V/°C	Reference to 25°C, I <sub>D</sub> =1mA
Gate Threshold Voltage	V <sub>GS(th)</sub>	0.5	-	1.2	V	V <sub>DS</sub> =V <sub>GS</sub> , I <sub>D</sub> =250uA
Forward Transconductance	g <sub>fs</sub>	-	7	-	S	V <sub>DS</sub> =10V, I <sub>D</sub> =6A
Gate-Source Leakage Current	I <sub>GSS</sub>	-	-	±100	nA	V <sub>GS</sub> = ±8V
Drain-Source Leakage Current(T <sub>j</sub> =25°C)	I <sub>DSS</sub>	-	-	1	uA	V <sub>DS</sub> =20V, V <sub>GS</sub> =0
Drain-Source Leakage Current(T <sub>j</sub> =150°C)		-	-	25	uA	V <sub>DS</sub> =16V, V <sub>GS</sub> =0
Static Drain-Source On-Resistance	R <sub>DS(ON)</sub>	-	-	25	mΩ	V <sub>GS</sub> =10V, I <sub>D</sub> =8A
		-	-	30		V <sub>GS</sub> =4.5V, I <sub>D</sub> =6A
		-	-	40		V <sub>GS</sub> =2.5V, I <sub>D</sub> =5.2A
Total Gate Charge <sup>2</sup>	Q <sub>g</sub>	-	18.9	-	nC	I <sub>D</sub> =6A V <sub>DS</sub> =10V V <sub>GS</sub> =10V
Gate-Source Charge	Q <sub>gs</sub>	-	2.1	-		
Gate-Drain ("Miller") Change	Q <sub>gd</sub>	-	2.4	-		
Turn-on Delay Time <sup>2</sup>	T <sub>d(on)</sub>	-	14.3	-	ns	V <sub>DS</sub> =10V I <sub>D</sub> =1A V <sub>GS</sub> =4.5V R <sub>G</sub> =6Ω R <sub>L</sub> =10Ω
Rise Time	T <sub>r</sub>	-	11.9	-		
Turn-off Delay Time	T <sub>d(off)</sub>	-	22.1	-		
Fall Time	T <sub>f</sub>	-	16.7	-		
Input Capacitance	C <sub>iss</sub>	-	614	-	pF	V <sub>GS</sub> =0V V <sub>DS</sub> =8V f=1.0MHz
Output Capacitance	C <sub>oss</sub>	-	151	-		
Reverse Transfer Capacitance	C <sub>rss</sub>	-	116	-		

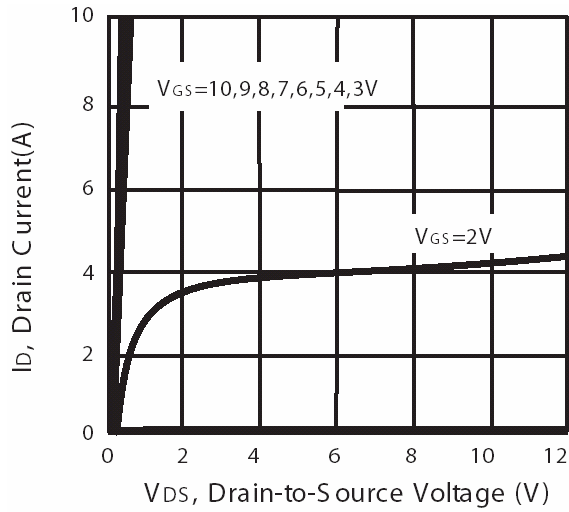
**Source-Drain Diode**

Parameter	Symbol	Min.	Typ.	Max.	Unit	Test Conditions
Forward On Voltage <sup>2</sup>	V <sub>SD</sub>	-	-	1.3	V	I <sub>S</sub> =18A, V <sub>GS</sub> =0V, T <sub>j</sub> =25°C
Continuous Source Current(Body Diode)	I <sub>S</sub>	-	-	18	A	V <sub>D</sub> = V <sub>G</sub> =0V, V <sub>S</sub> =1.3V
Pulsed Source Current(Body Diode) <sup>1</sup>	I <sub>SM</sub>	-	-	30	A	

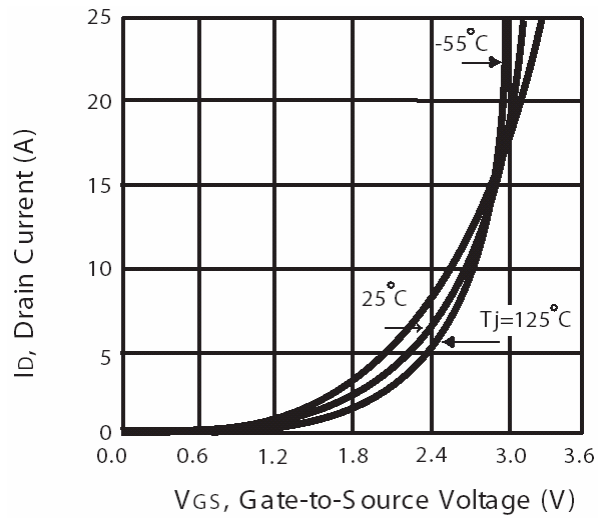
Notes: 1. Pulse width limited by safe operating area.

2. Pulse width ≤ 300us, duty cycle ≤ 2%.

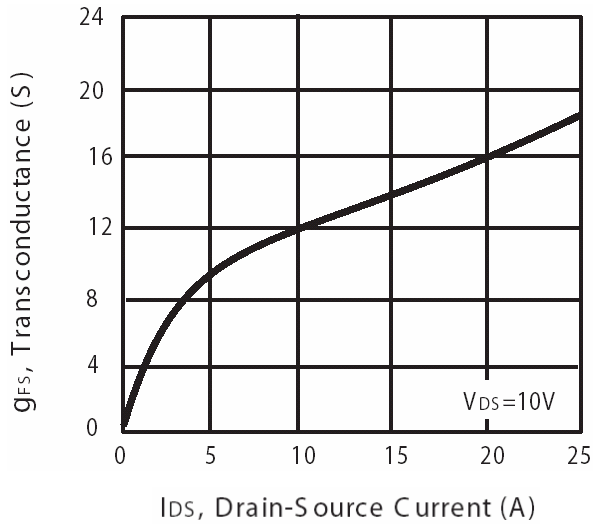
**Characteristics Curve**



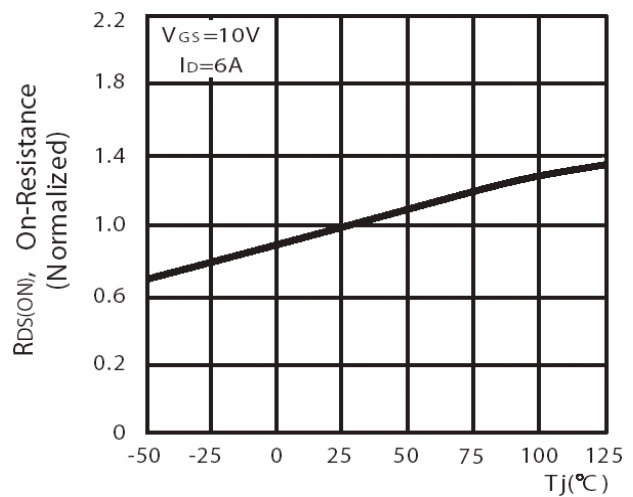
**Fig 1. Typical Output Characteristics**



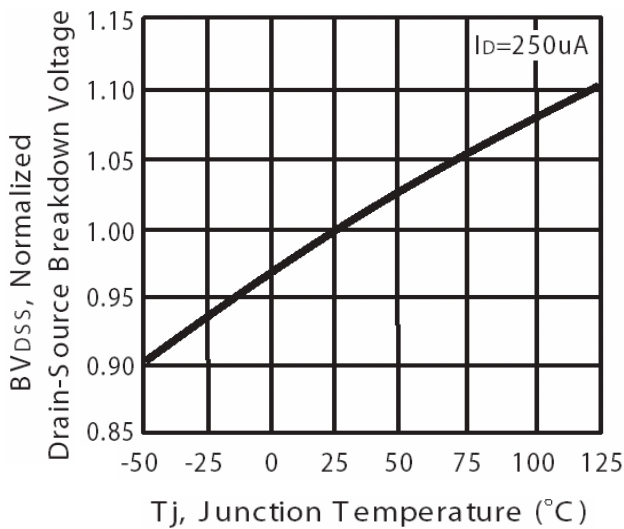
**Fig 2. Transfer Characteristics**



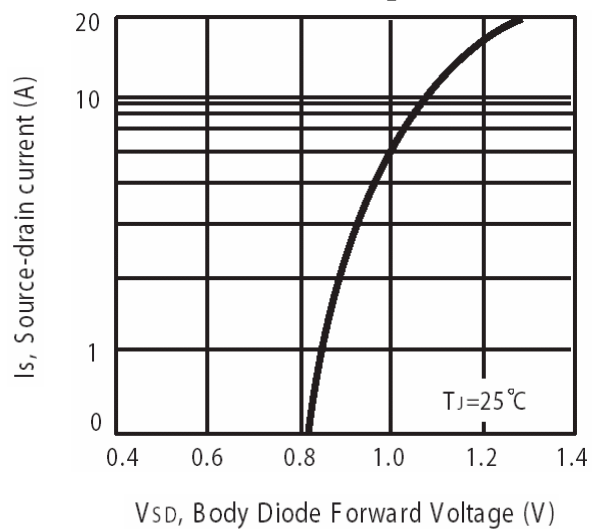
**Fig 3. Transconductance v.s. Drain Current**



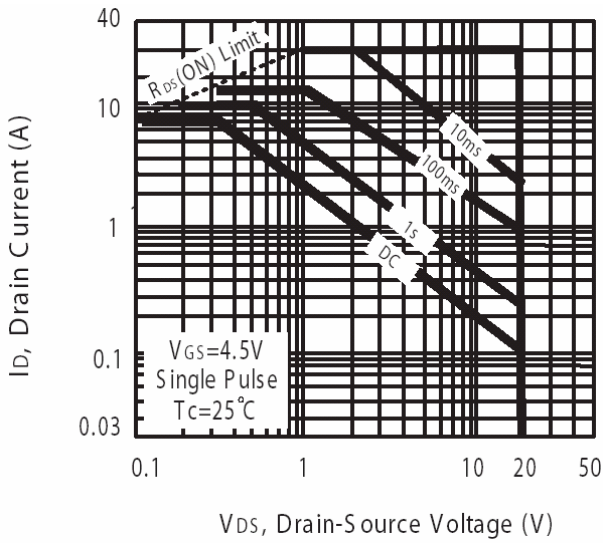
**Fig 4. On-Resistance v.s. Junction Temperature**



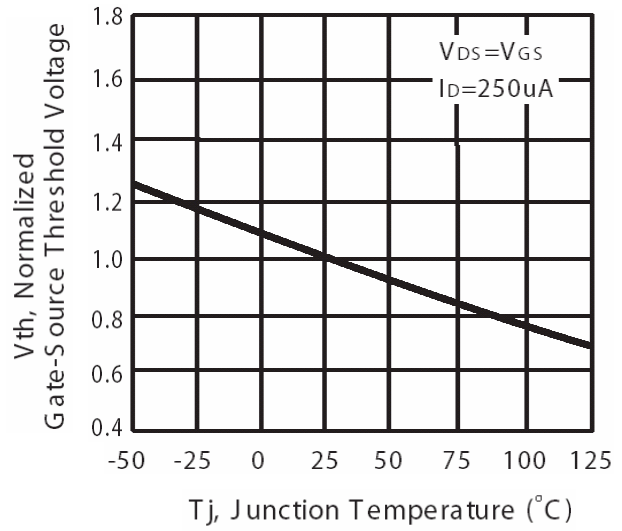
**Fig 5. Breakdown Voltage v.s. Junction Temperature**



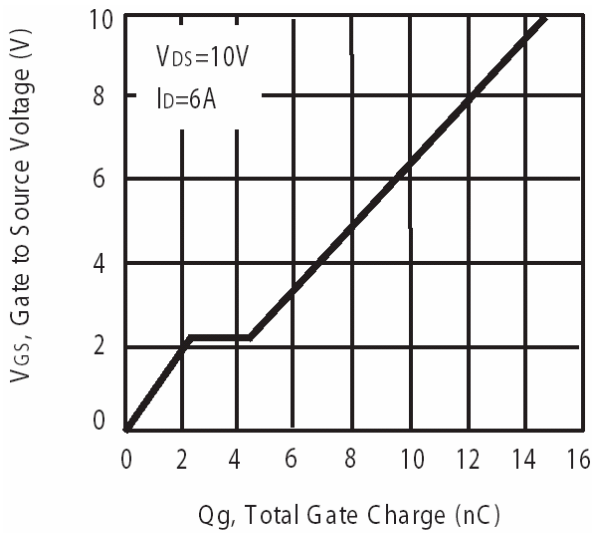
**Fig 6. Body Diode Forward Voltage v.s. Source Current**



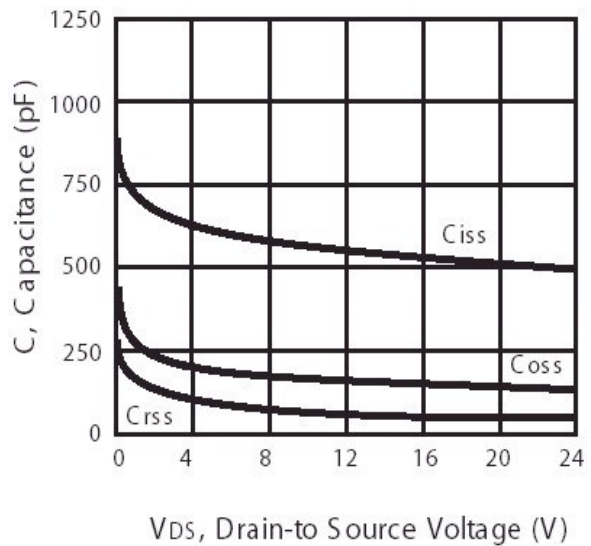
**Fig 7. Maximum Safe Operating Area**



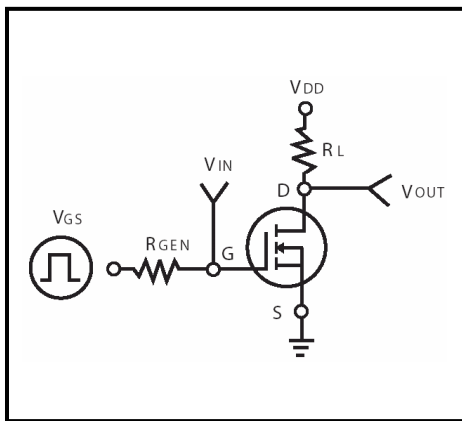
**Fig 8. Gate Threshold Voltage v.s. Junction Temperature**



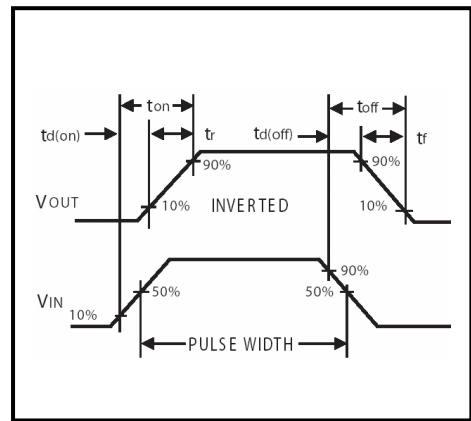
**Fig 9. Gate Charge Characteristics**



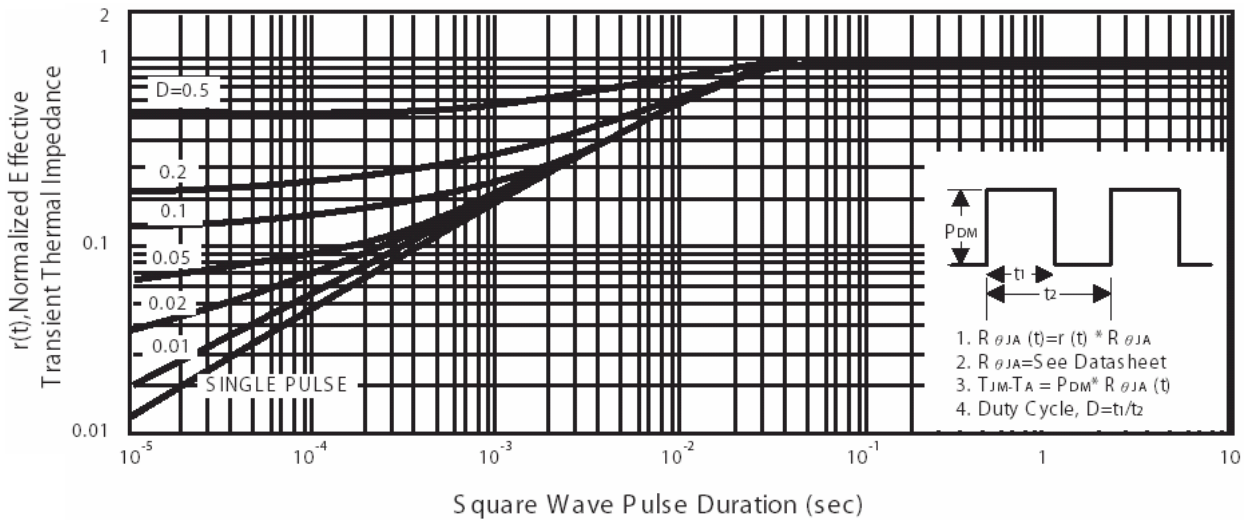
**Fig 10. Typical Capacitance Characteristics**



**Fig 11. Switching Time Circuit**



**Fig 12. Switching Time Waveform**



**Fig 13. Normalized Thermal Transient Impedance Curve**

**Important Notice:**

- All rights are reserved. Reproduction in whole or in part is prohibited without the prior written approval of GTM.
- GTM reserves the right to make changes to its products without notice.
- GTM semiconductor products are not warranted to be suitable for use in life-support Applications, or systems.
- GTM assumes no liability for any consequence of customer product design, infringement of patents, or application assistance.

**Head Office And Factory:**

- **Taiwan:** No. 17-1 Tatung Rd. Fu Kou Hsin-Chu Industrial Park, Hsin-Chu, Taiwan, R. O. C.
- TEL : 886-3-597-7061 FAX : 886-3-597-9220, 597-0785
- **China:** (201203) No.255, Jang-Jiang Tsai-Lueng RD. , Pu-Dung-Hsin District, Shang-Hai City, China
- TEL : 86-21-5895-7671 ~ 4 FAX : 86-21-38950165