

REVISIONS			
LTR	DESCRIPTION	DATE (YR-MO-DA)	APPROVED
A	Added changes in accordance with NOR 5962-R154-95	95-06-16	M. A. Frye
B	Added device type 03. Editorial changes throughout.	95-12-05	M. A. Frye

REV	B																			
SHEET	35																			
REV	B	B	B	B	B	B	B	B	B	B	B	B	B	B	B	B	B	B	B	B
SHEET	15	16	17	18	19	20	21	22	23	24	25	26	27	28	29	30	31	32	33	34
REV STATUS OF SHEETS				REV		B	B	B	B	B	B	B	B	B	B	B	B	B	B	B
				SHEET		1	2	3	4	5	6	7	8	9	10	11	12	13	14	

PMIC N/A	PREPARED BY RAJESH PITHADIA	DEFENSE ELECTRONICS SUPPLY CENTER DAYTON, OHIO 45444		
STANDARD MICROCIRCUIT DRAWING THIS DRAWING IS AVAILABLE FOR USE BY ALL DEPARTMENTS AND AGENCIES OF THE DEPARTMENT OF DEFENSE AMSC N/A	CHECKED BY KENNETH RICE	MICROCIRCUIT, MEMORY, DIGITAL, CMOS 5000 GATE PROGRAMMABLE LOGIC ARRAY, MONOLITHIC SILICON		
	APPROVED BY MICHAEL FRYE			
	DRAWING APPROVAL DATE 93-10-22	SIZE A	CAGE CODE 67268	5962-92252
	REVISION LEVEL B	SHEET 1 OF 35		

DESC FORM 193
JUL 94

DISTRIBUTION STATEMENT A. Approved for public release; distribution is unlimited.

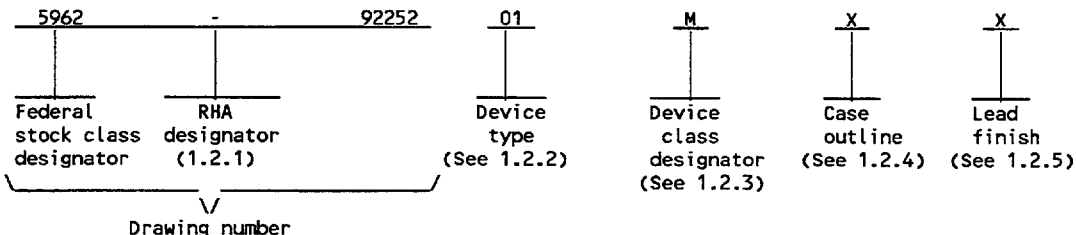
5962-E080-96

9004708 0016095 647

1. SCOPE

1.1 Scope. This drawing forms a part of a one part - one part number documentation system (see 6.6 herein). Two product assurance classes consisting of military high reliability (device classes Q and M) and space application (device class V), and a choice of case outlines and lead finishes are available and are reflected in the Part or Identifying Number (PIN). Device class M microcircuits represent non-JAN class B microcircuits in accordance with 1.2.1 of MIL-STD-883, "Provisions for the use of MIL-STD-883 in conjunction with compliant non-JAN devices". When available, a choice of Radiation Hardness Assurance (RHA) levels are reflected in the PIN.

1.2 PIN. The PIN shall be as shown in the following example:



1.2.1 Radiation hardness assurance (RHA) designator. Device class M RHA marked devices shall meet the MIL-PRF-38535 appendix A specified RHA levels and shall be marked with the appropriate RHA designator. Device classes Q and V RHA marked devices shall meet the MIL-PRF-38535 specified RHA levels and shall be marked with the appropriate RHA designator. A dash (-) indicates a non-RHA device.

1.2.2 Device type(s). The device type(s) shall identify the circuit function as follows:

Device type	Generic number	Circuit function	Access time
01	4005-10	5000 gate programmable array	10 ns
02	4005-6	5000 gate programmable array	6 ns
03	4005-5	5000 gate programmable array	5 ns

1.2.3 Device class designator. The device class designator shall be a single letter identifying the product assurance level as follows:

Device class	Device requirements documentation
M	Vendor self-certification to the requirements for non-JAN class B microcircuits in accordance with 1.2.1 of MIL-STD-883
Q or V	Certification and qualification to MIL-PRF-38535

1.2.4 Case outline(s). The case outlines shall be as designated in MIL-STD-1835 and as follows:

Outline letter	Descriptive designator	Terminals	Package style
X	CMGA8-156	156 1/	Pin grid array package
Y	See figure 1	164	Quad flat package
Z	See figure 1	164	Quad flat package

1.2.5 Lead finish. The lead finish shall be as specified in MIL-STD-883 (see 3.1 herein) for class M or MIL-PRF-38535 for classes Q and V. Finish letter "X" shall not be marked on the microcircuit or its packaging. The "X" designation is for use in specifications when lead finishes A, B, and C are considered acceptable and interchangeable without preference.

1/ 156 = actual number of pins used, not maximum listed in MIL-STD-1835

STANDARD MICROCIRCUIT DRAWING DEFENSE ELECTRONICS SUPPLY CENTER DAYTON, OHIO 45444	SIZE A		5962-92252
		REVISION LEVEL B	SHEET 2

1.3 Absolute maximum ratings. 2/

Supply voltage range to ground potential (V_{CC})	-0.5 V dc to +7.0 V dc
DC input voltage range	-0.5 V dc to $V_{CC} + 0.5$ V dc
Voltage applied to three-state output (V_{TS})	-0.5 V dc to $V_{CC} + 0.5$ V dc
Lead temperature (soldering, 10 seconds)	+260°C
Thermal resistance, junction-to-case (θ_{JC}):	
Case outline X	See MIL-STD-1835
Case outlines Y and Z	20°C/W 3/
Junction temperature (T_J)	+150°C 4/
Storage temperature range	-65°C to +150°C

1.4 Recommended operating conditions. 5/

Case operating temperature Range (T_C)	-55°C to +125°C
Supply voltage relative to ground (V_{CC})	+4.5 V dc minimum to +5.5 V dc maximum
Ground voltage (GND)	0 V dc

1.5 Digital logic testing for device classes Q and V.

Fault coverage measurement of manufacturing logic tests (MIL-STD-883, test method 5012) - 6/ percent

2. APPLICABLE DOCUMENTS

2.1 Government specification, standards, bulletin, and handbook. Unless otherwise specified, the following specification, standards, bulletin, and handbook of the issue listed in that issue of the Department of Defense Index of Specifications and Standards specified in the solicitation, form a part of this drawing to the extent specified herein.

SPECIFICATION

MILITARY

MIL-PRF-38535 - Integrated Circuits, Manufacturing, General Specification for.

STANDARDS

MILITARY

MIL-STD-883 - Test Methods and Procedures for Microelectronics.
 MIL-STD-973 - Configuration Management.
 MIL-STD-1835 - Microcircuit Case Outlines.

BULLETIN

MILITARY

MIL-BUL-103 - List of Standard Microcircuits Drawings (SMD's).

HANDBOOK

MILITARY

MIL-HDBK-780 - Standardized Military Drawings.

(Copies of the specification, standards, bulletin, and handbook required by manufacturers in connection with specific acquisition functions should be obtained from the contracting activity or as directed by the contracting activity.)

- 2/ Stresses above the absolute maximum rating may cause permanent damage to the device. Extended operation at the maximum levels may degrade performance and affect reliability.
- 3/ When a thermal resistance for this case is specified in MIL-STD-1835 that value shall supersede the value indicated herein.
- 4/ Maximum junction temperature shall not be exceeded except for allowable short duration burn-in screening conditions in accordance with method 5004 of MIL-STD-883.
- 5/ All voltage values in this drawing are with respect to V_{SS} .
- 6/ When a QML source exists, a value shall be provided.

STANDARD MICROCIRCUIT DRAWING DEFENSE ELECTRONICS SUPPLY CENTER DAYTON, OHIO 45444	SIZE A		5962-92252
		REVISION LEVEL B	SHEET 3

DESC FORM 193A
 JUL 94

9004708 0016097 41T

HANDBOOK

MILITARY

MIL-HDBK-780 - Standardized Military Drawings.

(Copies of the specification, standards, bulletin, and handbook required by manufacturers in connection with specific acquisition functions should be obtained from the contracting activity or as directed by the contracting activity.)

2.2 Non-Government publications. The following documents form a part of this document to the extent specified herein. Unless otherwise specified, the issues of the documents which are DoD adopted are those listed in the issue of the DODISS cited in the solicitation. Unless otherwise specified, the issues of documents not listed in the DODISS are the issues of the documents cited in the solicitation.

AMERICAN SOCIETY FOR TESTING AND MATERIALS (ASTM)

ASTM Standard F1192-88 - Standard Guide for the Measurement of Single Event Phenomena from Heavy Ion Irradiation of Semiconductor Devices.

(Applications for copies of ASTM publications should be addressed to the American Society for Testing and Materials, 1916 Race Street, Philadelphia, PA 19103.)

ELECTRONICS INDUSTRIES ASSOCIATION (EIA)

JEDEC Standard No. 17 - A Standardized Test Procedure for the Characterization of Latch-up in CMOS Integrated Circuits.

(Applications for copies should be addressed to the Electronics Industries Association, 2001 Pennsylvania Street, N.W., Washington, DC 20006.)

(Non-Government standards and other publications are normally available from the organizations that prepare or distribute the documents. These documents also may be available in or through libraries or other informational services.)

2.2 Order of precedence. In the event of a conflict between the text of this drawing and the references cited herein, the text of this drawing shall take precedence.

3. REQUIREMENTS

3.1 Item requirements. The individual item requirements for device class M shall be in accordance with 1.2.1 of MIL-STD-883, "Provisions for the use of MIL-STD-883 in conjunction with compliant non-JAN devices" and as specified herein. The individual item requirements for device classes Q and V shall be in accordance with MIL-PRF-38535, the device manufacturer's Quality Management (QM) plan, and as specified herein. The modification in the QM plan shall not effect the form, fit, or function as described herein.

3.2 Design, construction, and physical dimensions. The design, construction, and physical dimensions shall be as specified in MIL-STD-883 (see 3.1 herein) for device class M and MIL-PRF-38535 for device classes Q and V and herein.

3.2.1 Case outline(s). The case outline(s) shall be in accordance with 1.2.4 herein and figure 1.

3.2.2 Terminal connections. The terminal connections shall be as specified on figure 2.

3.2.3 Logic block diagram. The logic block diagram shall be as specified in figure 3.

3.3 Electrical performance characteristics and postirradiation parameter limits. Unless otherwise specified herein, the electrical performance characteristics and postirradiation parameter limits are as specified in table I and shall apply over the full case operating temperature range.

3.4 Electrical test requirements. The electrical test requirements shall be the subgroups specified in table IIA. The electrical tests for each subgroup are defined in table I.

3.5 Marking. The part shall be marked with the PIN listed in 1.2 herein. Marking for device class M shall be in accordance with MIL-STD-883 (see 3.1 herein). In addition, the manufacturer's PIN may also be marked as listed in MIL-BUL-103. Marking for device classes Q and V shall be in accordance with MIL-PRF-38535.

3.5.1 Certification/compliance mark. The compliance mark for device class M shall be a "C" as required in MIL-STD-883 (see 3.1 herein). The certification mark for device classes Q and V shall be a "QML" or "Q" as required in MIL-PRF-38535.

STANDARD MICROCIRCUIT DRAWING DEFENSE ELECTRONICS SUPPLY CENTER DAYTON, OHIO 45444	SIZE A		5962-92252
		REVISION LEVEL B	SHEET 4

DESC FORM 193A
JUL 94

9004708 0016098 356

3.6 Certificate of compliance. For device class M, a certificate of compliance shall be required from a manufacturer in order to be listed as an approved source of supply in MIL-BUL-103 (see 6.7.2 herein). For device classes Q and V, a certificate of compliance shall be required from a QML-38535 listed manufacturer in order to supply to the requirements of this drawing (see 6.7.1 herein). The certificate of compliance submitted to DESC-EC prior to listing as an approved source of supply for this drawing shall affirm that the manufacturer's product meets, for device class M, the requirements of MIL-STD-883 (see 3.1 herein), or for device classes Q and V, the requirements of MIL-PRF-38535 and the requirements herein.

3.7 Certificate of conformance. A certificate of conformance as required for device class M in MIL-STD-883 (see 3.1 herein) or for device classes Q and V in MIL-PRF-38535 shall be provided with each lot of microcircuits delivered to this drawing.

3.8 Notification of change for device class M. For device class M, notification to DESC-EC of change of product (see 6.2 herein) involving devices acquired to this drawing is required for any change as defined in MIL-STD-973.

3.9 Verification and review for device class M. For device class M, DESC, DESC's agent, and the acquiring activity retain the option to review the manufacturer's facility and applicable required documentation. Offshore documentation shall be made available onshore at the option of the reviewer.

3.10 Microcircuit group assignment for device class M. Device class M devices covered by this drawing shall be in microcircuit group number 42 (see MIL-PRF-38535, appendix A).

3.11 Operational notes. Additional information shall be provided by the device manufacturer (see 6.7 herein).

4. QUALITY ASSURANCE PROVISIONS

4.1 Sampling and inspection. For device class M, sampling and inspection procedures shall be in accordance with MIL-STD-883 (see 3.1 herein). For device classes Q and V, sampling and inspection procedures shall be in accordance with MIL-PRF-38535 and the device manufacturer's QM plan. The modification in the QM plan shall not effect the form, fit, or function as described herein.

4.2 Screening. For device class M, screening shall be in accordance with method 5004 of MIL-STD-883, and shall be conducted on all devices prior to quality conformance inspection. For device classes Q and V, screening shall be in accordance with MIL-PRF-38535, and shall be conducted on all devices prior to qualification and technology conformance inspection.

4.2.1 Additional criteria for device class M.

- a. Delete the sequence specified as initial (preburn-in) electrical parameters through interim (postburn-in) electrical parameters of method 5004 and substitute lines 1 through 6 of table IIA herein.
 - b. For device class M, the test circuit shall be maintained by the manufacturer under document revision level control and shall be made available to the preparing or acquiring activity upon request. For device class M, the test circuit shall specify the inputs, outputs, biases, and power dissipation, as applicable, in accordance with the intent specified in test method 1015.
- (1) Static burn-in for device class M, Q, and V (method 1015 of MIL-STD-883, test condition A).
- (a) All inputs shall be connected to GND. Outputs may be open or connected to 5.0 V + 0.5 - 0.0 V minimum. Resistors R1 are optional on both inputs and outputs, and required on outputs connected to $V_{CC} + 0.5 - 0.0 V$. R1 = 220Ω to 47 kΩ. For static II burn-in, reverse all input connections (i.e., V_{SS} to V_{CC}).
 - (b) $V_{CC} = 5.0 V + 0.5 V - 0.0 V$ minimum
 - (c) Ambient temperature (T_A) shall be +125°C minimum.
- c. Interim and final electrical parameters shall be as specified in table IIA herein.

4.2.2 Additional criteria for device classes Q and V.

- a. The burn-in test duration, test condition and test temperature or approved alternatives shall be as specified in the device manufacturer's QM plan in accordance with MIL-PRF-38535. The burn-in test circuit shall be maintained under document revision level control of the device manufacturer's Technology Review Board (TRB) in accordance with MIL-PRF-38535 and shall be made available to the acquiring or preparing activity upon request. The test circuit shall specify the inputs, outputs, biases, and power dissipation, as applicable, in accordance with the intent specified in test method 1015.
- b. Interim and final electrical test parameters shall be as specified in table IIA herein.

STANDARD MICROCIRCUIT DRAWING DEFENSE ELECTRONICS SUPPLY CENTER DAYTON, OHIO 45444	SIZE A		5962-92252
		REVISION LEVEL B	SHEET 5

DESC FORM 193A
JUL 94

■ 9004708 0016099 292 ■

c. Additional screening for device class V beyond the requirements of device class Q shall be as specified in appendix B of MIL-PRF-38535.

4.3 Qualification inspection for device classes Q and V. Qualification inspection for device class Q shall be in accordance with MIL-PRF-38535. Inspections to be performed shall be those specified in MIL-PRF-38535 and herein for groups A, B, C, D, and E inspections (see 4.4.1 through 4.4.4).

4.4 Conformance inspection. Quality conformance inspection for device class M shall be in accordance with MIL-STD-883 (see 3.1 herein) and as specified herein. Inspections to be performed for device class M shall be those specified in method 5005 of MIL-STD-883 and herein for groups A, B, C, D, and E inspections (see 4.4.1 through 4.4.4). Technology conformance inspection for classes Q and V shall be in accordance with MIL-PRF-38535 including groups A, B, C, D, and E inspections and as specified herein except where option 2 of MIL-PRF-38535 permits alternate in-line control testing.

4.4.1 Group A inspection.

- a. Tests shall be as specified in table IIA herein.
- b. Subgroups 4, 5, and 6 (C_{IN} measurements) shall be measured only for the initial test and after process or design changes which may affect input capacitance.
- c. For device class M, subgroups 7, 8A, and 8B tests shall include verifying the functionality of the device. For device classes Q and V, subgroups 7 and 8 shall include verifying the functionality of the device; these tests shall have been fault graded in accordance with MIL-STD-883, test method 5012 (see 1.5 herein).
- d. O/V (latch-up) tests shall be measured only for initial qualification and after any design or process changes which may affect the performance of the device. For device class M, procedures and circuits shall be maintained under document revision level control by the manufacturer and shall be made available to the preparing activity or acquiring activity upon request. For device classes Q and V, the procedures and circuits shall be under the control of the device manufacturer's TRB in accordance with MIL-PRF-38535 and shall be made available to the preparing activity or acquiring activity upon request. Testing shall be on all pins, on five devices with zero failures. Latch-up test shall be considered destructive. Information contained in JEDEC standard number 17 may be used for reference.
- e. Subgroup 4 (C_{IN} measurements) shall be measured only for initial qualification and after any process or design changes which may affect input capacitance. Capacitance shall be measured between the designated terminal and GND at a frequency of 1 MHz. Sample size is 15 devices with no failures, and all input terminals tested.

4.4.2 Group C inspection. The group C inspection end-point electrical parameters shall be as specified in table IIA herein. Delta limits shall apply only to subgroup 1 of group C inspection and shall consist of tests specified in table IIB herein.

4.4.2.1 Additional criteria for device class M. Steady-state life test conditions, method 1005 of MIL-STD-883:

- a. Test condition D. The test circuit shall be maintained by the manufacturer under document revision level control and shall be made available to the preparing or acquiring activity upon request. The test circuit shall specify the inputs, outputs, biases, and power dissipation, as applicable, in accordance with the intent specified in test method 1005.
- b. $T_A = +125^\circ\text{C}$, minimum.
- c. Test duration: 1,000 hours, except as permitted by method 1005 of MIL-STD-883.

4.4.2.2 Additional criteria for device classes Q and V. The steady-state life test duration, test condition and test temperature, or approved alternatives shall be as specified in the device manufacturer's QM plan in accordance with MIL-PRF-38535. The test circuit shall be maintained under document revision level control by the device manufacturer's TRB, in accordance with MIL-PRF-38535, and shall be made available to the acquiring or preparing activity upon request. The test circuit shall specify the inputs, outputs, biases, and power dissipation, as applicable, in accordance with the intent specified in test method 1005.

4.4.3 Group D inspection. The group D inspection end-point electrical parameters shall be as specified in table IIA herein.

STANDARD MICROCIRCUIT DRAWING DEFENSE ELECTRONICS SUPPLY CENTER DAYTON, OHIO 45444	SIZE A		5962-92252
		REVISION LEVEL B	SHEET 6

DESC FORM 193A
JUL 94

■ 9004708 0016100 834 ■

TABLE I. Electrical performance characteristics.

Test	Symbol	Conditions 4.5 V ≤ V _{CC} ≤ 5.5 V -55°C ≤ T _C ≤ +125°C unless otherwise specified	Group A subgroups	Device type	Limits		Unit
					Min	Max	
High level output voltage	V _{OH}	V _{CC} = 4.5 V, I _{OH} = -4.0 mA V _{IL} = 0.8 V, V _{IH} = 2.0 V	1,2,3	All	2.4		V
Low level output voltage 1/	V _{OL}	V _{CC} = 5.5 V, I _{OL} = 4.0 mA, V _{IL} = 0.8 V, V _{IH} = 2.0 V	1,2,3	All		0.4	V
Dynamic power consumption 2/ 3/		V _{CC} = 5.5 V	1,2,3	All		2/	mW/MHz
Quiescent LCA supply current 4/	I _{CCO}	V _{CC} = V _{IN} = 5.5 V	1,2,3	All		50	mA
Input leakage current	I _{IL}	V _{IN} = 0 V and 5.5 V, V _{CC} = 5.5 V	1,2,3	All	-10	+10	μA
Output leakage current	I _{OL}	V _{IN} = 0 V and 5.5 V, V _{CC} = 5.5 V with no load	1,2,3	All	- 1.0	+1.0	mA
Pad pull-up current (when selected)	I _{RIN}	V _{IN} = 0 V	1,2,3	All		0.5	mA
Horizontal long line pull-up current (when selected)	I _{RLL}	At logic low	1,2,3	All		2.5	mA
Input capacitance	C _{IN}	See 4.4.1e	4	All		16	pF
Output capacitance	C _{OUT}	See 4.4.1e	4	All		16	pF
Functional test	FT	See 4.4.1c	7,8A,8B	All			
Interconnect + t _{PID} + t _{OPS} + t _{ILO}	t _{B1}		9,10,11	01		197.3	ns
				02		124	
				03		94.4	
Interconnect + t _{PID} + t _{HHO} + t _{OPS}	t _{B2}		9,10,11	01		170.9	ns
				02		138.7	
				03		102.2	
Interconnect + t _{PID} + t _{OPS} + t _{IHO}	t _{B3}		9,10,11	01		252.7	ns
				02		151.6	
				03		129.2	
Interconnect + t _{PID} + t _{OPS} + t _{RIO}	t _{B4}		9,10,11	01		270.0	ns
				02		167.4	
				03		144.8	
Interconnect + t _{CKO} + t _{ICK} + t _{CKI}	t _{B5}		9,10,11	01		22.6	ns
				02		12.6	
				03		8.8	
Interconnect + t _{CKO} + t _{HHCK} + t _{CKHH}	t _{B6}		9,10,11	01		20.7	ns
				02		13.6	
				03		9.3	
Interconnect + t _{CKO} + t _{IHCK} + t _{CKIH}	t _{B7}		9,10,11	01		26.6	ns
				02		14.6	
				03		10.3	

See footnotes at end of table.

STANDARD MICROCIRCUIT DRAWING DEFENSE ELECTRONICS SUPPLY CENTER DAYTON, OHIO 45444	SIZE A		5962-92252
		REVISION LEVEL B	SHEET 7

DESC FORM 193A
JUL 94

9004708 0016101 770

TABLE I. Electrical performance characteristics - continued.

Test	Symbol	Conditions 4.5 V ≤ V _{CC} ≤ 5.5 V -55°C ≤ T _C ≤ +125°C unless otherwise specified	Group A subgroups	Device type	Limits		Unit
					Min	Max	
Interconnect + t _{CKO} + t _{DICK} + t _{CKDI}	t _{B8}		9,10,11	01		18.7	ns
				02		10.6	
				03		7.3	
Interconnect + t _{CKO} + t _{ECCK} + t _{CKEC}	t _{B9}		9,10,11	01		23.6	ns
				02		13.6	
				03		8.3	
Interconnect + t _{PID} + t _{OPS} + t _{OPCY} + t _{SUM} - t _{BYP}	t _{B10}		9,10,11	01		279.3	ns
				02		209.4	
				03		162.1	
Interconnect + t _{PID} + t _{OPS} + t _{ASCY} + t _{SUM} - t _{BYP}	t _{B11}		9,10,11	01		318.3	ns
				02		222.4	
				03		168.6	
Interconnect + t _{PID} + t _{OPS} + t _{INCY} + t _{SUM}	t _{B12}		9,10,11	01		167.2	ns
				02		128.4	
				03		95.3	
Interconnect + t _{PID} + t _{OPS} + t _{INCY} + t _{SUM} + t _{BYP}	t _{B13}		9,10,11	01		78.3	ns
				02		58.2	
				03		43.7	

WIDE DECODER SWITCHING CHARACTERISTICS

Full length, both pull-ups inputs from IOB I-pins	T _{WAF}	See figures 4 and 5 as applicable. 5/	3/	01		12	ns
				02		10	
				03		9	
Full length, both pull-ups inputs from internal logic	T _{WAFI}		3/	01,02		13	ns
				03		12	
Half length, one pull-up inputs from IOB I-pins	T _{WAO}		3/	01		12	ns
				02		10	
				03		9	
Half length, one pull-up inputs from internal logic	T _{WAOI}		3/	01,02		13	ns
				03		12	

CLB SWITCHING CHARACTERISTICS

Combinatorial delay F/G inputs to X/Y outputs	T _{ILO}	See figures 4 and 5 as applicable.	6/	01		10	ns
				02		6	
				03		4.5	
Combinatorial delay F/G inputs via H' to X/Y outputs	T _{IHO}		6/	01		14	ns
				02		8	
				03		7	
Combinatorial delay C inputs via H' to X/Y outputs	T _{HHO}		6/	01		8	ns
				02		7	
				03		5	

See footnotes at end of table.

<p align="center">STANDARD MICROCIRCUIT DRAWING DEFENSE ELECTRONICS SUPPLY CENTER DAYTON, OHIO 45444</p>	<p>SIZE A</p>		<p>5962-92252</p>
		<p>REVISION LEVEL B</p>	<p>SHEET 8</p>

TABLE I. Electrical performance characteristics - continued.

Test	Symbol	Conditions 4.5 V ≤ V _{CC} ≤ 5.5 V -55°C ≤ T _C ≤ +125°C unless otherwise specified	Group A subgroups	Device type	Limits		Unit
					Min	Max	
CLB SWITCHING CHARACTERISTICS - Continued.							
CLB fast carry logic operand inputs (F1,F2,G1,G4) to C _{OUT}	T _{OPCY}	See figures 4 and 5, as applicable	Z/	01		8	ns
				02		7	
				03		5.5	
CLB fast carry logic add/subtract input (F3) to C _{OUT}	T _{ASCY}		Z/	01		11	ns
				02		8	
				03		6	
CLB fast carry logic initialization inputs (F1,F3) to C _{OUT}	T _{INCY}		Z/	01,02		6	ns
				03		4	
CLB fast carry logic C _{IN} through function generators to X/Y outputs	T _{SUM}		Z/	01		12	ns
				02		8	
				03		6	
CLB fast carry logic C _{IN} to C _{OUT} , bypass function generators	T _{BYP}		Z/	01		3	ns
				02		2	
				03		1.5	
Sequential delays clock K to outputs Q	T _{CKO}		6/	01		9	ns
				02		5	
				03		3	
Set-up time before clock K, F/G inputs	T _{ICK}		6/	01	11		ns
				02	6		
				03	4.5		
Set-up time before clock K, F/G inputs via H ¹	T _{IHCK}		6/	01	15		ns
				02	8		
				03	6		
Set-up time before clock K, C inputs via H ¹	T _{HHCK}		6/	01	9		ns
				02	7		
				03	5		
Set-up time before clock K, C inputs via DIN	T _{DICK}		6/	01	7		ns
				02	4		
				03	3		

See footnotes at end of table.

STANDARD MICROCIRCUIT DRAWING DEFENSE ELECTRONICS SUPPLY CENTER DAYTON, OHIO 45444	SIZE A		5962-92252
		REVISION LEVEL B	SHEET 9

DESC FORM 193A
JUL 94

9004708 0016103 543

TABLE I. Electrical performance characteristics - continued.

Test	Symbol	Conditions 4.5 V ≤ V _{CC} ≤ 5.5 V -55°C ≤ T _C ≤ +125°C unless otherwise specified	Group A subgroups	Device type	Limits		Unit	
					Min	Max		
CLB SWITCHING CHARACTERISTICS - Continued.								
Set-up time before clock K, C inputs via EC	T _{ECCK}	See figures 4 and 5, as applicable	6/	01	12		ns	
					02	7		
						03		4
Set-up time before clock K, C inputs via S/R, going low (inactive)	T _{RCK}	3/	01	10			ns	
				02	6			
					03	4.5		
Set-up time before clock K, C _{TN} input via F ¹ /G ¹	T _{CCK}	3/	01,02	8			ns	
				03	6			
Set-up time before clock K, C _{TN} input via F ¹ /G ¹ and H ¹	T _{CHCK}	3/	01,02		10		ns	
				03	7.5			
Hold time after clock K, F/G inputs	T _{CKI}	6/	ALL		0		ns	
Hold time after clock K, F/G inputs via H ¹	T _{CKIH}	6/	ALL	0		ns		
Hold time after clock K, C inputs via H1	T _{CKHH}	6/	ALL	0		ns		
Hold time after clock K, C inputs via DIN	T _{CKDI}	6/	ALL	0		ns		
Hold time after clock K, C inputs via EC	T _{CKEC}	6/	ALL	0		ns		
Hold time after clock K, C inputs via S/R, going low (inactive)	T _{CKR}	3/	ALL	0		ns		
Clock high time	T _{CH}	3/	01	5.5		ns		
				02	5			
					03		4.5	
Clock low time	T _{CL}	3/	01	5.5			ns	
				02	5			
					03	4.5		

See footnotes at end of table.

STANDARD MICROCIRCUIT DRAWING DEFENSE ELECTRONICS SUPPLY CENTER DAYTON, OHIO 45444	SIZE A		5962-92252
		REVISION LEVEL B	SHEET 10

DESC FORM 193A
JUL 94

9004708 0016104 48T

TABLE I. Electrical performance characteristics - continued.

Test	Symbol	Conditions 4.5 V ≤ V _{CC} ≤ 5.5 V -55°C ≤ T _C ≤ +125°C unless otherwise specified	Group A subgroups	Device type	Limits		Unit
					Min	Max	
CLB SWITCHING CHARACTERISTICS - continued.							
Set/Reset direct width (high)	T _{RPW}	See figures 4 and 5, as applicable.	3/	01	6		ns
				02	5		
				03	4		
Set/Reset direct delay, from C to Q	T _{RIO}		6/	01		15	ns
				02		9	
				03		8	
Master set/reset width (high or low)	T _{MRW}		3/	01	24		ns
				02	21		
				03	18		
Master set/reset delay from global set/reset net to Q	T _{MRQ}		3/	01		37	ns
				02		33	
				03		31	
CLB SWITCHING CHARACTERISTICS (RAM OPTION)							
Read operation, address read cycle time (16 X 2)	T _{RC}	See figures 4 and 5, as applicable. 8/	9/	01	12		ns
				02	7		
				03	5.5		
Read operation, address read cycle time (32 X 1)	T _{RCT}		9/	01	15		ns
				02	10		
				03	7.5		
Read operation data valid after address change (no write enable) (16 X 2)	T _{ILO}		9/	01		10	ns
				02		6	
				03		4.5	
Read operation data valid after address change (no write enable) (32 X 1)	T _{IHO}		9/	01		14	ns
				02		8	
				03		7	
Read during write, clocking data into flipflop address setup time before clock K (32 x 1)	T _{ICK}		9/	01	11		ns
				02	6		
				03	4.5		

See footnotes at end of table.

STANDARD MICROCIRCUIT DRAWING DEFENSE ELECTRONICS SUPPLY CENTER DAYTON, OHIO 45444	SIZE A		5962-92252
		REVISION LEVEL B	SHEET 11

DESC FORM 193A
JUL 94

9004708 0016105 316

TABLE I. Electrical performance characteristics - continued.

Test	Symbol	Conditions 4.5 V ≤ V _{CC} ≤ 5.5 V -55°C ≤ T _C ≤ +125°C unless otherwise specified	Group A subgroups	Device type	Limits		Unit	
					Min	Max		
CLB SWITCHING CHARACTERISTICS (RAM OPTION) - Continued.								
Read during write, clocking data into flip flop address setup time before clock K (32 X 1)	T _{IHCK}	See figures 4 and 5, as applicable 8/	2/	01	15		ns	
					02	8		
					03	6		
Read during write, data valid after WE going active (16 X 2)	T _{WO}		2/	01		15	ns	
					02			12
					03			10
Read during write, (DIN stable before WE) (32 X 1)	T _{WDT}		2/	01		27	ns	
					02			15
					03			12
Read during write, data valid after DIN (16 X 2)	T _{DO}		2/	01		19	ns	
					02			11
					03			9
Read during write, (DIN change during WE) (32 X 1)	T _{DOT}		2/	01		22	ns	
					02			14
					03			11
Read during write, clocking data into flip flop, WE setup time before clock K (16 X 2)	T _{WCK}		2/	01	15		ns	
					02	12		
					03	10		
Read during write, clocking data into flip flop, WE setup time before clock K (32 X 1)	T _{WCKT}		2/	01	27		ns	
					02	15		
					03	12		
Read during write, clocking data into flip flop, data setup time before clock K (16 X 2)	T _{DCK}		2/	01	19		ns	
					02	11		
					03	9		
Read during write, clocking data into flip flop, data setup time before clock K (32 X 1)	T _{DCKT}		2/	01	22		ns	
					02	14		
					03	11		

See footnotes at end of table.

STANDARD MICROCIRCUIT DRAWING DEFENSE ELECTRONICS SUPPLY CENTER DAYTON, OHIO 45444	SIZE A		5962-92252
		REVISION LEVEL B	SHEET 12

DESC FORM 193A
JUL 94

■ 9004708 0016106 252 ■

TABLE I. Electrical Performance Characteristics - continued.

Test	Symbol	Conditions 4.5 V ≤ V _{CC} ≤ 5.5 V -55°C ≤ T _C ≤ +125°C unless otherwise specified	Group A subgroups	Device type	Limits		Unit
					Min	Max	
CLB SWITCHING CHARACTERISTICS (RAM OPTION) - Continued.							
Write operation, address write cycle time (16 X 2)	T _{WC}	See figure 4 and 5, as applicable 8/	9/	01	16		ns
				02	9		
				03	8		
Write operation, address write cycle time (32 X 1)	T _{WCT}		9/	01	16		ns
				02	9		
				03	8		
Write operation, write enable pulse width (high) (16 X 2)	T _{WP}		9/	01	12		ns
				02	5		
				03	4		
Write operation, write enable pulse width (high) (32 X 1)	T _{WPT}		9/	01	12		ns
				02	5		
				03	4		
Write operation, address setup time before beginning of WE (16 X 2)	T _{AS}	9/	All	2		ns	
Write operation, address setup time before beginning of WE (32 X 1)	T _{AST}	9/	All	2		ns	
Write operation, address hold time after end of WE (16 X 2)	T _{AH}	9/	All		2	ns	
Write operation, address hold time after end of WE (32 X 1)	T _{AHT}	9/	All		2	ns	
Write operation, DIN setup time before end of WE (16 X 2)	T _{DS}	9/	All	4		ns	
Write operation, DIN setup time before end of WE (32 X 1)	T _{DST}	9/	All	5		ns	
Write operation, DIN hold time after end of WE	T _{DHT}	9/	All		2	ns	

See footnotes at end of table.

STANDARD MICROCIRCUIT DRAWING DEFENSE ELECTRONICS SUPPLY CENTER DAYTON, OHIO 45444	SIZE A	5962-92252
	REVISION LEVEL B	SHEET 13

DESC FORM 193A
JUL 94

9004708 0016107 199

TABLE I. Electrical Performance Characteristics - continued.

Test	Symbol	Conditions 4.5 V ≤ V _{CC} ≤ 5.5 V -55°C ≤ T _C ≤ +125°C unless otherwise specified	Group A subgroups	Device type	Limits		Unit	
					Min	Max		
IOB SWITCHING CHARACTERISTICS								
Input propagation delay, pad to I1, I2	T _{PID}	See figures 4 and 5 as applicable. <u>10/ 11/</u>	<u>6/</u>	01,02		4	ns	
					03	3		
Input propagation delay, pad to I1, I2, via transparent latch (fast)	T _{PLI}		<u>3/</u>	01		13	ns	
					02	8		
					03	7		
Input propagation delay, pad to I1, I2, via transparent latch (with delay)	T _{PDLI}		<u>3/</u>	01		30	ns	
					02	26		
					03	24		
Input propagation delay, clock (IK) to I1, I2, (flip-flop)	T _{IKRI}		<u>3/</u>	01		8.5	ns	
					02	8		
				03	7			
Input propagation delay, clock (IK) to I1, I2, (latch enable)	T _{IKLI}	<u>3/</u>	01		9	ns		
				02	8			
				03	7			
Setup time, pad to clock (IK), fast	T _{PICK}	See figures 4 and 5 as applicable. <u>10/ 11/ 12/</u>	<u>3/</u>	01	9		ns	
					02	7		
					03	6		
Setup time, pad to clock (IK), with delay	T _{PICKD}		<u>3/</u>	01	35		ns	
					02	25		
					03	24		
Hold time, pad to clock (IK), fast	T _{IKPI}		<u>3/</u>	All		1	ns	
Hold time, pad to clock (IK), with delay	T _{IKPID}			All		negative	ns	
Output propagation delay clock (OK) to pad, (fast)	T _{OKPOF}		See figures 4 and 5 as applicable. <u>10 11/</u>	<u>3/</u>	01		11	ns
						02	7.5	
					03	7		
Output propagation delay clock (OK) to pad, (slew rate limited)	T _{OKPOS}	<u>3/</u>		01		16	ns	
					02	11.5		
					03	10		

See footnotes at end of table.

STANDARD MICROCIRCUIT DRAWING DEFENSE ELECTRONICS SUPPLY CENTER DAYTON, OHIO 45444	SIZE A		5962-92252
		REVISION LEVEL B	SHEET 14

DESC FORM 193A
JUL 94

■ 9004708 0016108 025 ■

TABLE I. Electrical Performance Characteristics - continued.

Test	Symbol	Conditions 4.5 V ≤ V _{CC} ≤ 5.5 V -55°C ≤ T _C ≤ +125°C unless otherwise specified	Group A subgroups	Device type	Limits		Unit
					Min	Max	
IOB SWITCHING CHARACTERISTICS - continued							
Output propagation delay output (0) to pad (fast)	T _{OPF}	See figures 4 and 5 as applicable. 10/ 11/	3/	01		10	ns
				02		9	
				03		7	
Output propagation delay output (0) to pad (slew rate limited)	T _{OPS}		6/	01		15	ns
				02		13	
				03		10	
Output propagation delay 3-state to pad begin hi-Z (fast)	T _{TSHZF}		3/	01		10	ns
				02		9	
				03		7	
Output propagation delay 3-state to pad active and valid (fast)	T _{TSONF}		3/	01		15	ns
				02		13	
				03		10	
Output propagation delay 3-state to pad active and valid (slew rate limited)	T _{TSONS}		3/	01		20	ns
				02		17	
				03		13	
Setup time, output (0) to clock (OK)	T _{OOK}		3/	01	13		ns
				02	8		
				03	6		
Hold time, output (0) to clock (OK)	T _{OKO}		3/	All		0	ns
Clock high or low time	T _{CH/} T _{CL}		3/	01	6		ns
				02	5		
				03	4.5		
Global set/reset delay from GSR net through Q to I1, I2	T _{RR1}		3/	01		20	ns
				02		14.5	
				03		13.5	
Global set/reset delay from GSR net to pad	T _{RPO}		3/	01		23	ns
				02		18	
				03		17	

See footnotes at end of table.

STANDARD
MICROCIRCUIT DRAWING
DEFENSE ELECTRONICS SUPPLY CENTER
DAYTON, OHIO 45444

SIZE
A

5962-92252

REVISION LEVEL
B

SHEET
15

TABLE I. Electrical Performance Characteristics - continued.

Test	Symbol	Conditions 4.5 V ≤ V _{CC} ≤ 5.5 V -55°C ≤ T _C ≤ +125°C unless otherwise specified	Group A subgroups	Device type	Limits		Unit
					Min	Max	
Global set/reset GSR width	T _{MRW}	See figures 4 and 5 as applicable. 10/ 11/	3/	01,02	21		ns
				03	18		

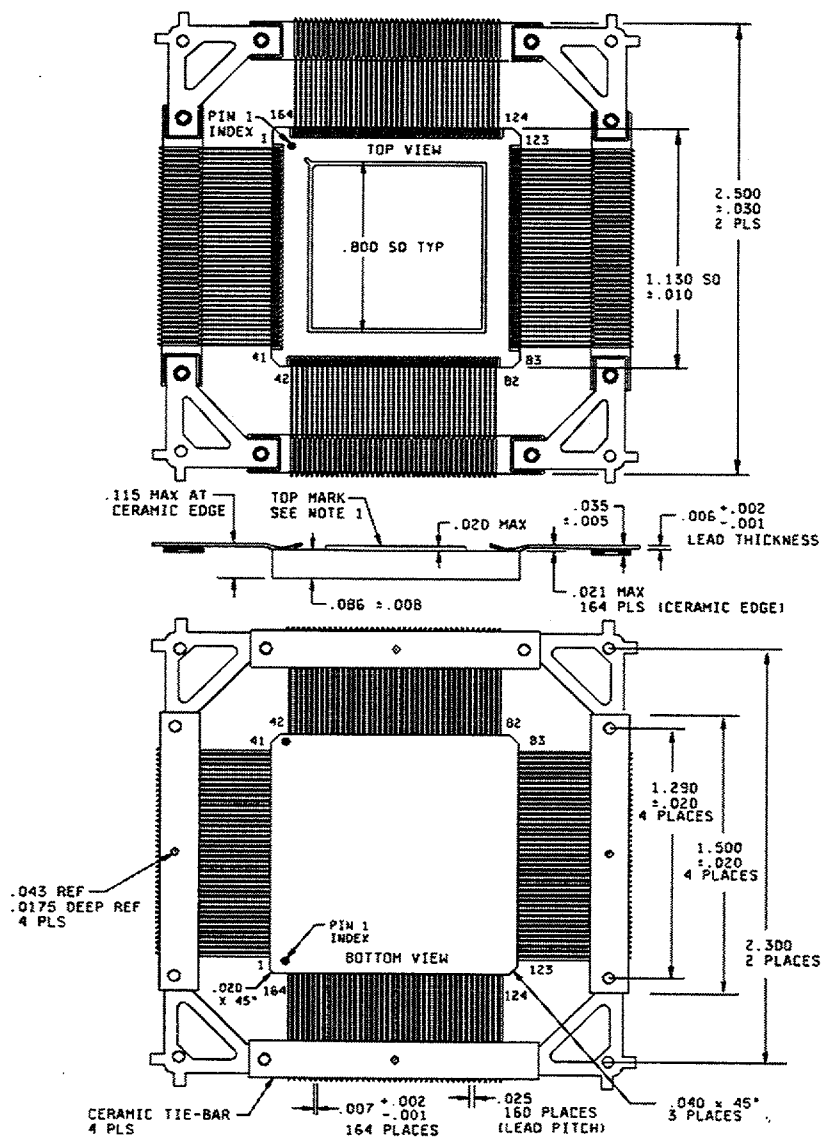
- 1/ With 50 percent of the outputs simultaneously sinking 4 mA.
- 2/ 1 CLB driving 3 local interconnects - - - - - 0.30 mW/MHz max. at 50 MHz max.
1 device output with a 50 pF load - - - - - 1.20 mW/MHz max. at 50 MHz max.
1 global clock buffer and line - - - - - 3.20 mW/MHz max. at 50 MHz max.
1 half longline without driver - - - - - 0.17 mW/MHz max. at 50 MHz max.
- 3/ Parameter is not tested but is guaranteed by characterization data which is taken at initial device introduction, prior to the introduction of significant changes, and at least twice yearly.
- 4/ With no output current loads, no active input or long line pull-resistors, all package pins at V_{CC} or GND, and the LCA configured with a MakeBits "tie" option.
- 5/ These delays are specified from the decoder input to the decoder output. For pad-to-pad delays, add the input delay (T_{pID}) and output delay (TOPF or TOPS).
- 6/ Parameter is not directly tested. Devices are first 100 percent functionally tested. Benchmark patterns (t_{B1} - t_{B13}) are then used to determine the compliance of this parameter. Characterization data is taken at initial device introduction, prior to the introduction of significant changes, and at least twice yearly to monitor correlation between benchmark patterns and this parameter.
- 7/ Benchmark patterns (t_{B1} - t_{B13}) are used to determine compliance of this parameter.
- 8/ Timing for the 16 X 1 RAM option is identical to 16 X 2 RAM timing.
- 9/ Values indicated are guaranteed by characterization data if application note, provided by manufacturer, is followed. If application note is not followed, indicated values are typical only.
- 10/ Timing is measured at pin threshold, with 50 pF external capacitive loads including test fixture. Slew rate limited output rise/fall times are approximately two times longer than fast output rise/fall times. A maximum total external capacitive load for simultaneous fast mode switching in the same direction is 200 pF per power/ground pin pair. For slew-rate limited outputs this total is two times larger. Exceeding this maximum capacitive load can result in ground bounce of greater than 1.5 V amplitude, less than 5 ns duration, which might cause problems when the LCA drives clocks and other asynchronous signals.
- 11/ Voltage levels of unused (bonded and unbonded) pads must be valid logic levels. Each can be configured with the internal pull-up or pull-down resistor or alternatively configured as a driven output or be driven from an external source.
- 12/ Input pad setup times and hold times are specified with respect to the internal clock (IK). To calculate system setup time, subtract clock delay (clock pad to IK) from the specified input pad setup time value, but do not subtract below zero. "Negative" hold time means that the delay in the input data is adequate for the external system hold time to be zero, provided the input clock uses the global signal distribution from pad to IK.

STANDARD MICROCIRCUIT DRAWING DEFENSE ELECTRONICS SUPPLY CENTER DAYTON, OHIO 45444	SIZE A		5962-92252
		REVISION LEVEL B	SHEET 16

DESC FORM 193A
JUL 94

■ 9004708 0016110 783 ■

Case Y



NOTE:

1. Package has top marking on lid side, therefore, pin out goes counterclockwise when device is mounted with lid in up position.

FIGURE 1. Case outline.

STANDARD
MICROCIRCUIT DRAWING
DEFENSE ELECTRONICS SUPPLY CENTER
DAYTON, OHIO 45444

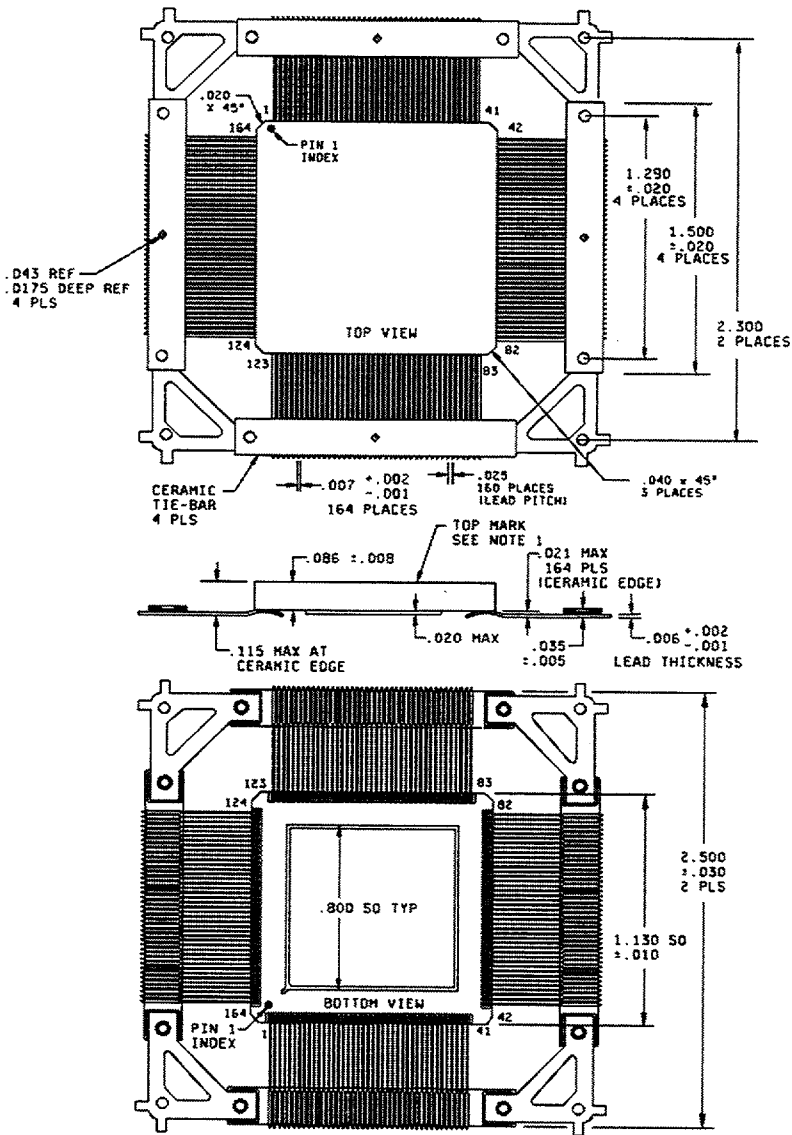
SIZE
A

5962-92252

REVISION LEVEL
B

SHEET
17

Case Z



NOTE:

- Package has top marking on non-lid side, therefore, pin out goes clockwise when device is mounted with lid in down position.

FIGURE 1. Case outline - Continued.

<p>STANDARD MICROCIRCUIT DRAWING DEFENSE ELECTRONICS SUPPLY CENTER DAYTON, OHIO 45444</p>	<p>SIZE A</p>		<p>5962-92252</p>
		<p>REVISION LEVEL B</p>	<p>SHEET 18</p>

DESC FORM 193A
JUL 94

9004708 0016112 556

Cases Y and Z

Inches	mm	Inches	mm
.001	0.02	.035	0.89
.002	0.05	.040	1.02
.005	0.13	.043	1.09
.006	0.15	.086	2.18
.007	0.18	.115	2.92
.008	0.20	.695	17.65
.010	0.25	.845	21.46
.0175	0.44	1.130	28.70
.020	0.51	1.290	32.77
.021	0.53	1.500	38.10
.025	0.64	2.300	58.42
.030	0.76	2.500	63.50

NOTE: The US government preferred system of measurement is the metric SI system. However, this item was originally designed using inch-pound units of measurement. In the event of conflict between the metric and inch-pound units, the inch-pound units shall take precedence.

FIGURE 1. Case outline - Continued.

STANDARD MICROCIRCUIT DRAWING DEFENSE ELECTRONICS SUPPLY CENTER DAYTON, OHIO 45444	SIZE A		5962-92252
		REVISION LEVEL B	SHEET 19

DESC FORM 193A
 JUL 94

■ 9004708 0016113 492 ■

Case outline X

Device type	ALL	Device type	ALL	Device type	ALL
Terminal number	Terminal symbol	Terminal number	Terminal symbol	Terminal number	Terminal symbol
A1	I/O (A17)	C1	I/O (A13)	F15	I/O
A2	I/O	C2	I/O	F16	I/O
A3	I/O (TCK)	C3	V _{CC}	G1	I/O (A9)
A4	NC	C4	GND	G2	I/O
A5	I/O (TMS)	C5	I/O	G3	I/O
A6	I/O	C6	GND	G14	I/O
A7	I/O	C7	I/O	G15	I/O
A8	I/O	C8	GND	G16	I/O
A9	I/O	C9	I/O	H1	I/O (A8)
A10	I/O	C10	I/O	H2	GND
A11	I/O	C11	GND	H3	V _{CC}
A12	NC	C12	I/O	H14	V _{CC}
A13	I/O	C13	GND	H15	I/O (ERR, INIT)
A14	I/O	C14	V _{CC}	H16	I/O
A15	M1	C15	I/O	J1	I/O
A16	M0	C16	I/O (LDC)	J2	I/O (A6)
B1	I/O (A14)	D1	NC	J3	I/O (A7)
B2	SGCK1 (A15, I/O)	D2	NC	J14	GND
B3	PGCK1 (A16, I/O)	D3	I/O	J15	I/O
B4	I/O (TDI)	D14	I/O (HDC)	J16	I/O
B5	I/O	D15	I/O		
B6	I/O	D16	NC		
B7	I/O	E1	I/O		
B8	V _{CC}	E2	I/O		
B9	I/O	E3	I/O (A12)		
B10	I/O	E14	I/O		
B11	I/O	E15	NC		
B12	I/O	E16	I/O		
B13	I/O	F1	I/O (A10)		
B14	SGCK2 (I/O)	F2	I/O (A11)		
B15	M2	F3	GND		
B16	PGCK2 (I/O)	F14	GND		

NC = NO CONNECT

FIGURE 2. Terminal connections.

STANDARD MICROCIRCUIT DRAWING DEFENSE ELECTRONICS SUPPLY CENTER DAYTON, OHIO 45444	SIZE A		5962-92252
		REVISION LEVEL B	SHEET 20

DESC FORM 193A
JUL 94

9004708 0016114 329

Case outline X - Continued.

Device type	All		Device type	All		Device type	All
Terminal number	Terminal symbol		Terminal number	Terminal symbol		Terminal number	Terminal symbol
K1	I/O		P11	GND		T13	I/O
K2	I/O (A5)		P12	I/O		T14	I/O (D6)
K3	I/O (A4)		P13	V _{CC}		T15	PGCK3 (I/O)
K14	I/O		P14	GND		T16	I/O (D7)
K15	I/O		P15	I/O			
K16	I/O		P16	I/O			
L1	I/O		R1	I/O (A0, <u>WS</u>)			
L2	I/O		R2	CCLK			
L3	GND		R3	I/O			
L14	GND		R4	I/O			
L15	I/O		R5	NC			
L16	I/O		R6	I/O			
M1	NC		R7	I/O			
M2	NC		R8	V _{CC}			
M3	I/O		R9	I/O (D4)			
M14	I/O		R10	I/O			
M15	NC		R11	I/O			
M16	I/O		R12	NC			
N1	I/O (A3)		R13	<u>I/O</u>			
N2	I/O		R14	PROG			
N3	GND		R15	DONE			
N14	I/O		R16	SGCK3 (I/O)			
N15	I/O		T1	TDO			
N16	NC		T2	SGCK4 (DOUT, I/O)			
P1	I/O (CS1, A2)		T3	I/O (D1)			
P2	PGCK4 (A1, I/O)		T4	I/O			
P3	V _{CC}		T5	I/O			
P4	I/O (D0, DIN)		T6	I/O			
P5	I/O (RCLK-BUSY/RDY)		T7	I/O (RS)			
P6	GND		T8	I/O (D3)			
P7	I/O (D2)		T9	I/O			
P8	GND		T10	I/O (D5)			
P9	I/O		T11	I/O			
P10	I/O (CS0)		T12	NC			

NC = NO CONNECT

FIGURE 2. Terminal connections - Continued.

STANDARD MICROCIRCUIT DRAWING DEFENSE ELECTRONICS SUPPLY CENTER DAYTON, OHIO 45444	SIZE A		5962-92252
		REVISION LEVEL B	SHEET 21

DESC FORM 193A
 JUL 94

■ 9004708 0016115 265 ■

Case outlines Y and Z

Device type	All	Device type	All	Device type	All
Terminal number	Terminal symbol	Terminal number	Terminal symbol	Terminal number	Terminal symbol
1	GND	29	I/O	57	I/O
2	PGCK1 (A16, I/O)	30	GND	58	I/O
3	I/O (A17)	31	NC	59	I/O
4	I/O	32	I/O	60	I/O
5	I/O	33	I/O	61	I/O (ERR, INIT)
6	NC	34	I/O	62	V _{CC}
7	I/O (TDI)	35	I/O	63	GND
8	I/O (TCK)	36	NC	64	I/O
9	NC	37	I/O	65	I/O
10	GND	38	SGCK2 (I/O)	66	I/O
11	I/O	39	M1	67	I/O
12	I/O	40	GND	68	I/O
13	I/O (TMS)	41	M0	69	I/O
14	I/O	42	V _{CC}	70	I/O
15	I/O	43	M2	71	I/O
16	I/O	44	PGCK2 (I/O)	72	GND
17	I/O	45	I/O (HDC)	73	NC
18	I/O	46	I/O	74	NC
19	GND	47	NC	75	I/O
20	V _{CC}	48	I/O	76	I/O
21	I/O	49	I/O	77	I/O
22	I/O	50	I/O (LDC)	78	I/O
23	I/O	51	NC	79	I/O
24	I/O	52	NC	80	SGCK3 (I/O)
25	NC	53	GND	81	GND
26	I/O	54	I/O	82	DONE
27	I/O	55	I/O	83	V _{CC}
28	I/O	56	I/O	84	PROG

NC = NO CONNECT

FIGURE 2. Terminal connections - Continued.

STANDARD MICROCIRCUIT DRAWING DEFENSE ELECTRONICS SUPPLY CENTER DAYTON, OHIO 45444	SIZE A		5962-92252
		REVISION LEVEL B	SHEET 22

DESC FORM 193A
 JUL 94

■ 9004708 0016116 1T1 ■

Case outlines Y and Z - Continued.

Device type	All	Device type	All	Device type	All
Terminal number	Terminal symbol	Terminal number	Terminal symbol	Terminal number	Terminal symbol
85	I/O (D7)	112	I/O	139	I/O (A5)
86	PGCK3 (I/O)	113	GND	140	I/O
87	I/O	114	NC	141	I/O
88	NC	115	I/O (D1)	142	I/O (A6)
89	I/O	116	I/O (RCLK-BUSY/RDY)	143	I/O (A7)
90	I/O (D6)	117	I/O	144	GND
91	I/O	118	NC	145	V _{CC}
92	NC	119	I/O	146	I/O (A8)
93	NC	120	I/O (D0, DIN)	147	I/O (A9)
94	GND	121	SGCK4 (DOUT, I/O)	148	I/O
95	I/O	122	CCLK	149	I/O
96	I/O	123	V _{CC}	150	I/O (A10)
97	I/O (D5)	124	TDO	151	I/O (A11)
98	I/O (CS0)	125	GND	152	I/O
99	I/O	126	I/O (A0, \overline{WS})	153	I/O
100	I/O	127	PGCK4, (A1, I/O)	154	GND
101	I/O (D4)	128	I/O	155	NC
102	I/O	129	NC	156	NC
103	V _{CC}	130	I/O	157	I/O (A12)
104	GND	131	I/O (CS1, A2)	158	I/O (A13)
105	I/O (D3)	132	I/O (A3)	159	NC
106	I/O (RS)	133	NC	160	I/O
107	I/O	134	NC	161	I/O
108	I/O	135	GND	162	I/O (A14)
109	I/O (D2)	136	I/O	163	SGCK1 (A15, I/O)
110	I/O	137	I/O	164	V _{CC}
111	I/O	138	I/O (A4)		

NC = NO CONNECT

FIGURE 2. Terminal connections - Continued.

STANDARD
MICROCIRCUIT DRAWING
DEFENSE ELECTRONICS SUPPLY CENTER
DAYTON, OHIO 45444

SIZE
A

5962-92252

REVISION LEVEL
B

SHEET
23

DESC FORM 193A
JUL 94

9004708 0016117 038

I/O BLOCK

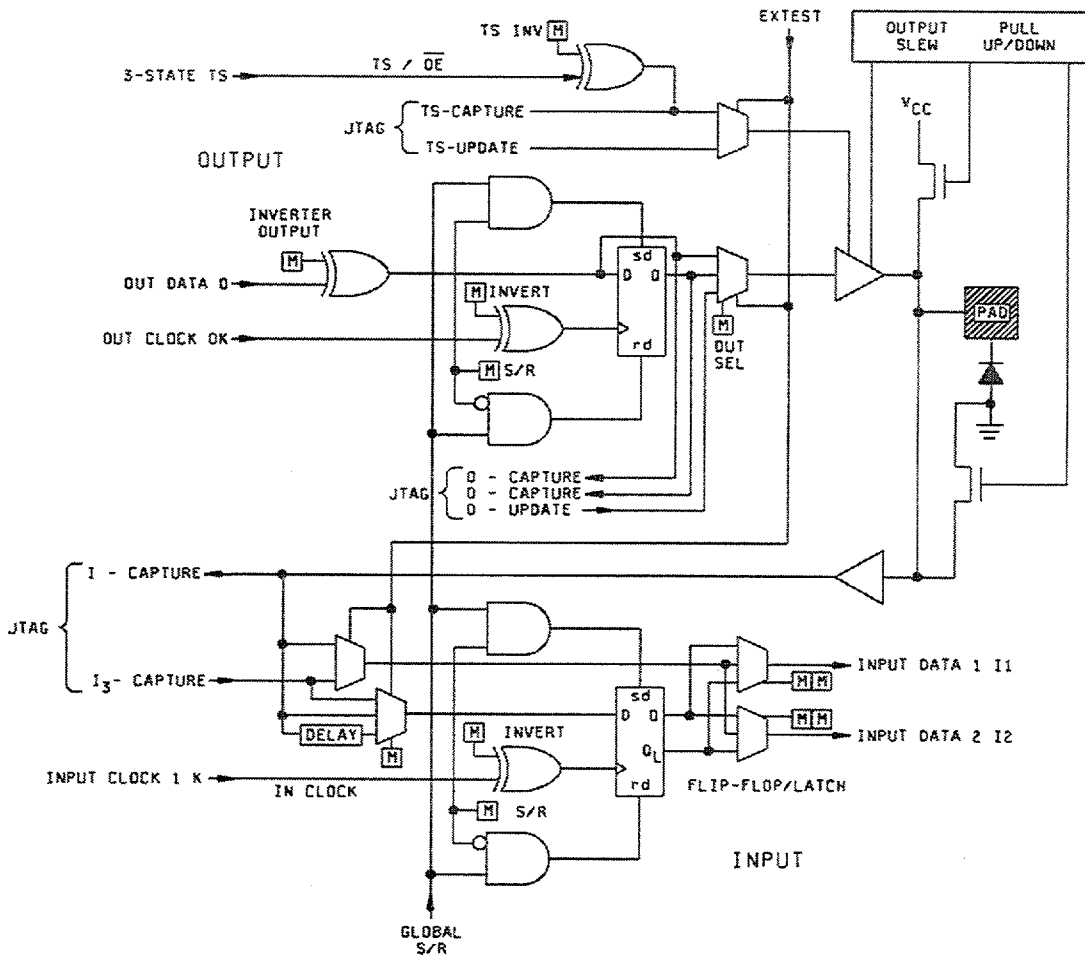


FIGURE 3. Logic block diagram.

STANDARD
MICROCIRCUIT DRAWING
DEFENSE ELECTRONICS SUPPLY CENTER
DAYTON, OHIO 45444

SIZE
A

5962-92252

REVISION LEVEL
B

SHEET
24

DESC FORM 193A
JUL 94

9004708 0016118 T74

CONFIGURABLE LOGIC BLOCK (CLB)

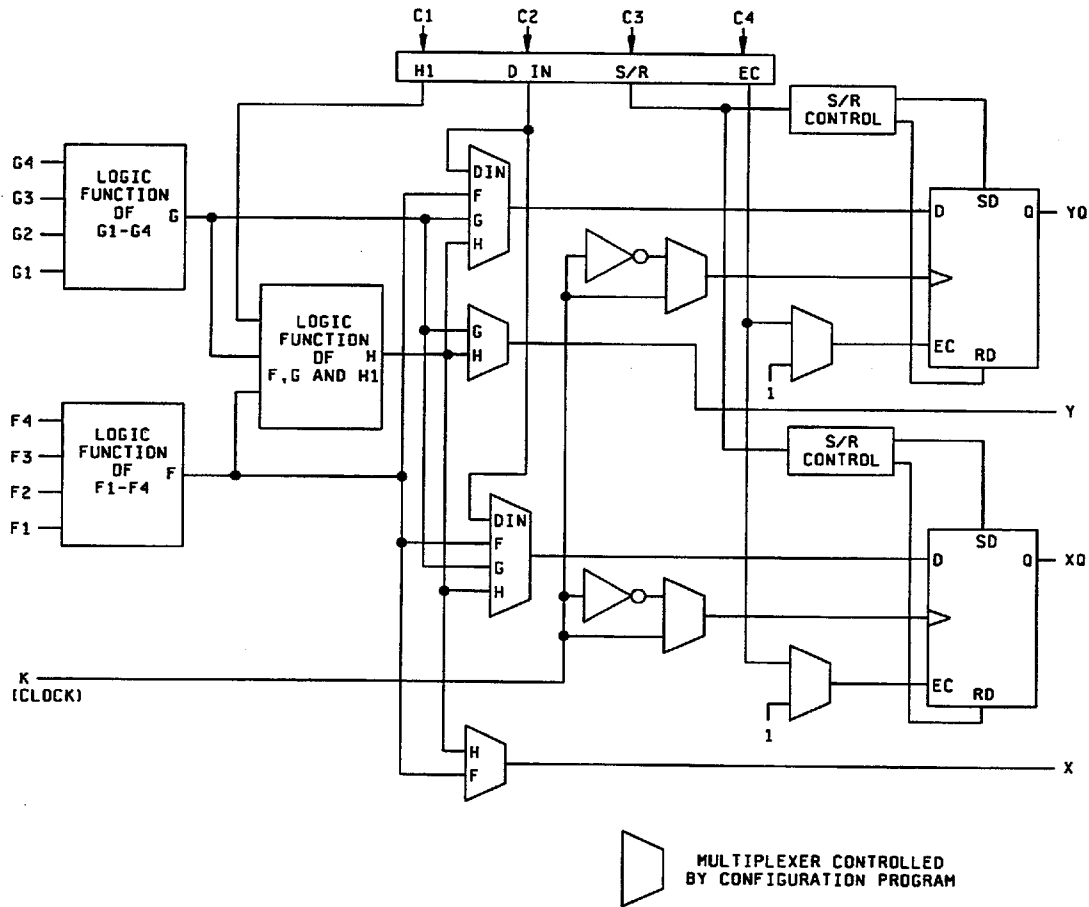


FIGURE 3. Logic block diagram - Continued.

STANDARD MICROCIRCUIT DRAWING DEFENSE ELECTRONICS SUPPLY CENTER DAYTON, OHIO 45444	SIZE A		5962-92252
		REVISION LEVEL B	SHEET 25

DESC FORM 193A
 JUL 94

9004708 0016119 900

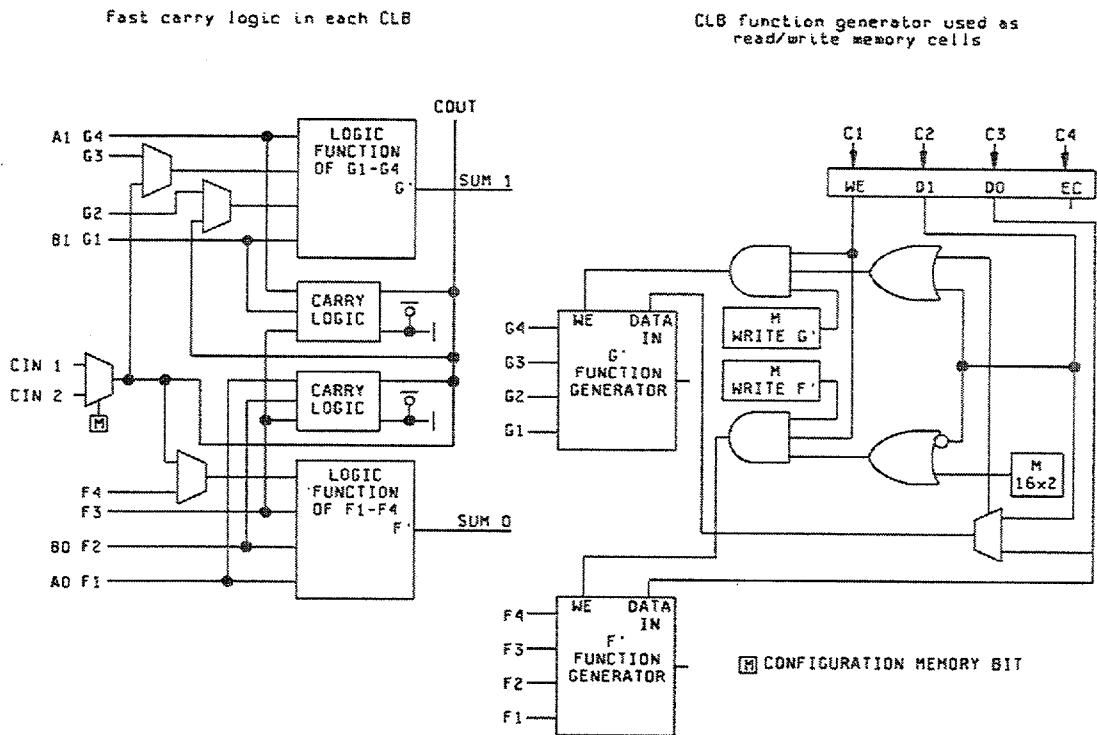


FIGURE 3. Logic block diagram - Continued.

STANDARD MICROCIRCUIT DRAWING DEFENSE ELECTRONICS SUPPLY CENTER DAYTON, OHIO 45444	SIZE A		5962-92252
		REVISION LEVEL B	SHEET 26

DESC FORM 193A
 JUL 94

9004708 0016120 622

BOUNDARY SCAN LOGIC

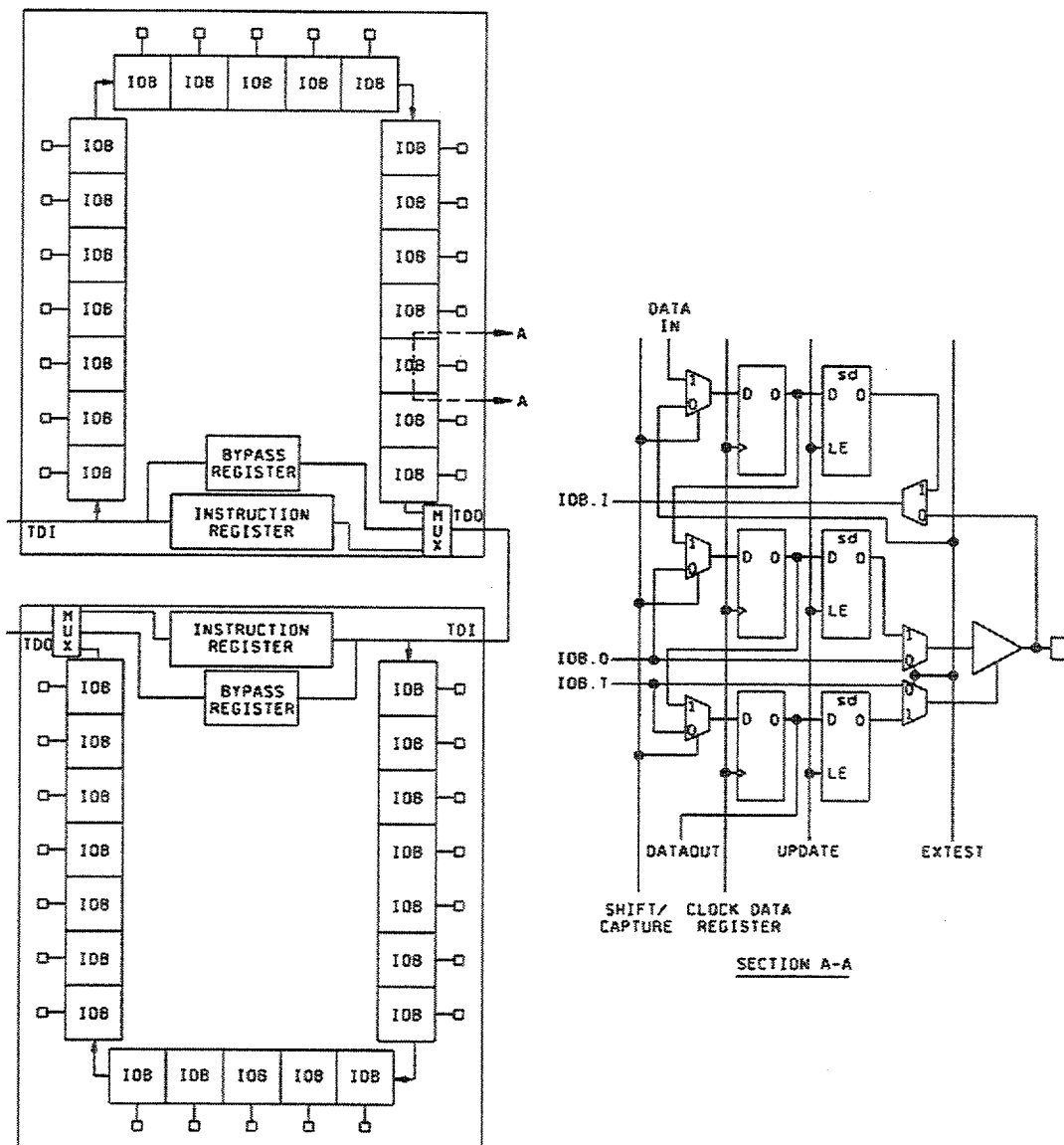


FIGURE 3. Logic block diagram - Continued.

STANDARD
MICROCIRCUIT DRAWING
DEFENSE ELECTRONICS SUPPLY CENTER
DAYTON, OHIO 45444

SIZE
A

5962-92252

REVISION LEVEL
B

SHEET
27

DESC FORM 193A
JUL 94

9004708 0016121 569

GENERAL LOGIC CELL ARRAY (LCA) SWITCHING CHARACTERISTICS

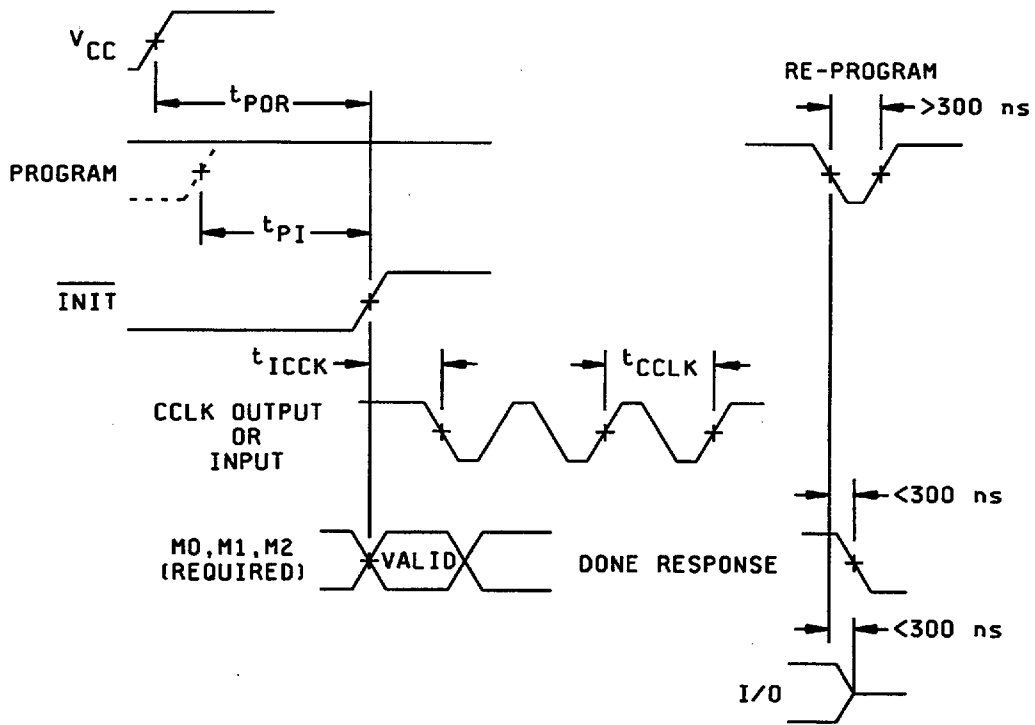


FIGURE 4. Timing diagrams and switching characteristics.

STANDARD
MICROCIRCUIT DRAWING
DEFENSE ELECTRONICS SUPPLY CENTER
DAYTON, OHIO 45444

SIZE
A

5962-92252

REVISION LEVEL
B

SHEET
28

DESC FORM 193A
JUL 94

9004708 0016122 4T5

CONFIGURABLE LOGIC BLOCK (CLB) SWITCHING CHARACTERISTICS

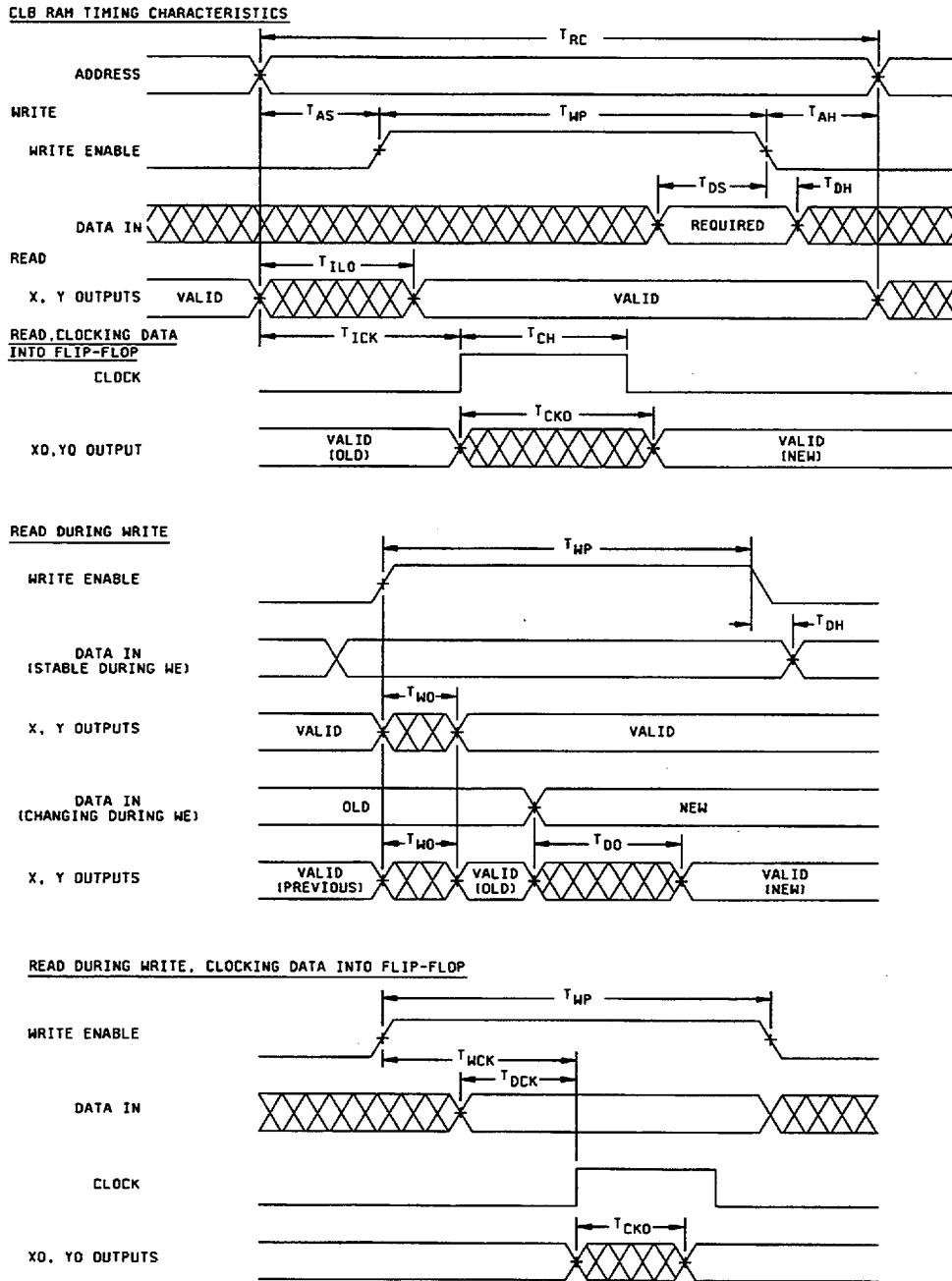


FIGURE 4. Timing diagram and switching characteristics - Continued.

STANDARD
MICROCIRCUIT DRAWING
DEFENSE ELECTRONICS SUPPLY CENTER
DAYTON, OHIO 45444

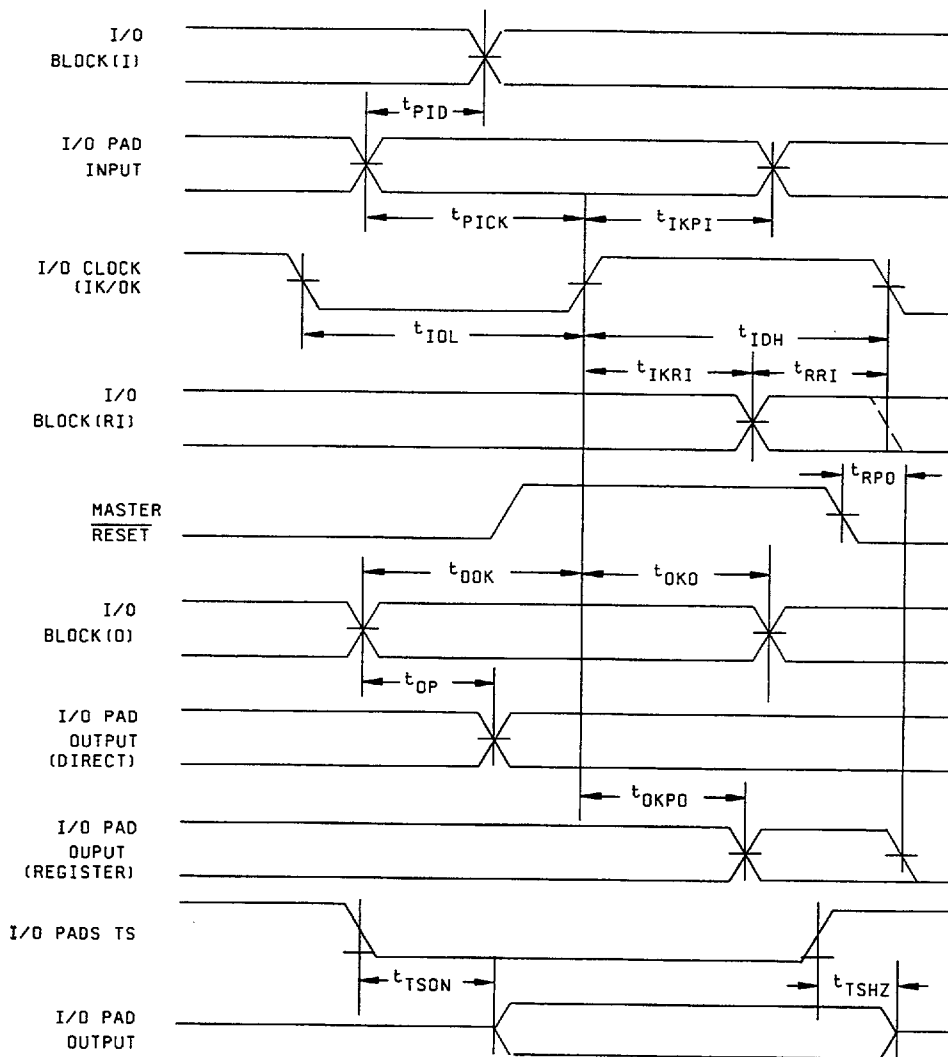
SIZE
A

5962-92252

REVISION LEVEL
B

SHEET
29

I/O BLOCK (IOB) SWITCHING CHARACTERISTICS



NOTE: t_{TSHZ} is determined when the output shifts 10 percent (of the output voltage swing) from V_{OL} level or V_{OH} level. See figure 5, circuit A herein for circuit used. t_{TSON} is measured at 0.5 V_{CC} level with $V_{IN} = 0.0$ V for three-state to active high, and $V_{IN} = V_{CC}$ for three-state to active low. See figure 5, circuit B herein for circuit used.

FIGURE 4. Timing diagram and switching characteristics - Continued.

STANDARD
MICROCIRCUIT DRAWING
DEFENSE ELECTRONICS SUPPLY CENTER
DAYTON, OHIO 45444

SIZE
A

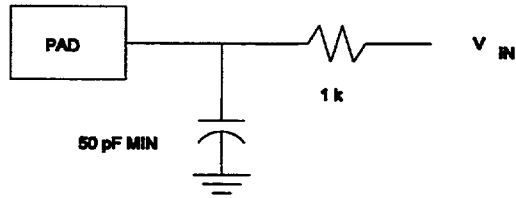
5962-92252

REVISION LEVEL
B

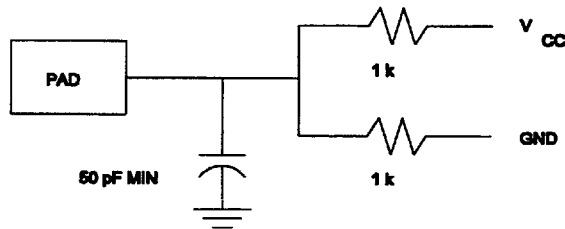
SHEET
30

DESC FORM 193A
JUL 94

9004708 0016124 278



Circuit A



Circuit B

FIGURE 5. Load circuit.

STANDARD
MICROCIRCUIT DRAWING
DEFENSE ELECTRONICS SUPPLY CENTER
DAYTON, OHIO 45444

SIZE
A

5962-92252

REVISION LEVEL
B

SHEET
31

DESC FORM 193A
JUL 94

■ 9004708 0016125 104 ■

4.4.4 **Group E inspection.** Group E inspection is required only for parts intended to be marked as radiation hardness assured (see 3.5 herein). RHA levels for device classes Q and V shall be M, D, R, and H and for device class M shall be M and D.

- a. End-point electrical parameters shall be as specified in table II herein.
- b. For device class M, the devices shall be subjected to radiation hardness assured tests as specified in MIL-PRF-38535 appendix A, for the RHA level being tested. For device classes Q and V, the devices or test vehicle shall be subjected to radiation hardness assured tests as specified in MIL-PRF-38535 for the RHA level being tested. All device classes must meet the postirradiation end-point electrical parameter limits as defined in table I at $T_A = +25^\circ\text{C} \pm 5^\circ\text{C}$, after exposure, to the subgroups specified in table IIA herein.
- c. When specified in the purchase order or contract, a copy of the RHA delta limits shall be supplied.

TABLE IIA. Electrical test requirements. 1/ 2/ 3/ 4/ 5/ 6/ 7/

Line no.	Test requirements	Subgroups (in accordance with MIL-STD-883, method 5005, table I)	Subgroups (in accordance with MIL-PRF-38535, table III)	
		Device class M	Device class Q	Device class V
1	Interim electrical parameters (see 4.2)		1,7,9	1,7,9
2	Static burn-in (method 1015)	Required	Required	Required
3	Same as line 1			1* Δ
4	Dynamic burn-in (method 1015)	Not required	Not required	Not required
5	Final electrical parameters	1*,2,3,7*,8A,8B,9,10,11	1*,2,3,7*,8A,8B,9,10,11	1*,2,3,7*,8A,8B,9,10,11
6	Group A test requirements	1,2,3,4**,7,8A,8B,9,10,11	1,2,3,4**,7,8A,8B,9,10,11	1,2,3,4**,7,8A,8B,9,10,11
7	Group C end-point electrical parameters	2,3,7,8A,8B	1,2,3,7,8A,8B	1,2,3,7,8A,8B,9,10,11 Δ
8	Group D end-point electrical parameters	2,3,8A,8B	2,3,8A,8B	2,3,8A,8B
9	Group E end-point electrical parameters	1,7,9	1,7,9	1,7,9

1/ Blank spaces indicate tests are not applicable.

2/ Any or all subgroups may be combined when using high-speed testers.

3/ Subgroups 7 and 8 functional tests shall verify the functionality of the device.

4/ * indicates PDA applies to subgroup 1 and 7.

5/ ** see 4.4.1e.

6/ Δ indicates delta limit (see table IIB) shall be required where specified, and the delta values shall be computed with reference to the previous interim electrical parameters (see line 1).

7/ See 4.4.1d.

STANDARD MICROCIRCUIT DRAWING DEFENSE ELECTRONICS SUPPLY CENTER DAYTON, OHIO 45444	SIZE A		5962-92252
		REVISION LEVEL B	SHEET 32

DESC FORM 193A
JUL 94

■ 9004708 0016126 040 ■

TABLE IIB. Delta limits at +25°C.

Parameter ^{1/}	Device types
	All
I _{CCO} standby	±1 mA
I _{IL}	±1 μA
I _{OL}	±100 μA

^{1/} The above parameter shall be recorded before and after the required burn-in and life tests to determine the delta.

4.5 Delta measurements for device classes V. Delta measurements, as specified in table IIA, shall be made and recorded before and after the required burn-in screens and steady-state life tests to determine delta compliance. The electrical parameters to be measured, with associated delta limits are listed in table IIB. The device manufacturer may, at his option, either perform delta measurements or within 24 hours after burn-in perform final electrical parameter tests, subgroups 1, 7, and 9.

5. PACKAGING

5.1 Packaging requirements. The requirements for packaging shall be in accordance with MIL-STD-883 (see 3.1 herein) for device class M and MIL-PRF-38535 for device classes Q and V.

6. NOTES

(This section contains information of a general or explanatory nature that may be helpful, but is not mandatory.)

6.1 Intended use. Microcircuits conforming to this drawing are intended for use for Government microcircuit applications (original equipment), design applications, and logistics purposes.

6.1.1 Replaceability. Microcircuits covered by this drawing will replace the same generic device covered by a contractor-prepared specification or drawing.

6.1.2 Substitutability. Device class Q devices will replace device class M devices.

6.2 Configuration control of SMD's. All proposed changes to existing SMD's will be coordinated with the users of record for the individual documents. This coordination will be accomplished in accordance with MIL-STD-973 using DD Form 1692, Engineering Change Proposal.

6.3 Record of users. Military and industrial users shall inform Defense Electronics Supply Center when a system application requires configuration control and which SMD's are applicable to that system. DESC will maintain a record of users and this list will be used for coordination and distribution of changes to the drawings. Users of drawings covering microelectronic devices (FSC 5962) should contact DESC-EC, telephone (513) 296-6047.

6.4 Comments. Comments on this drawing should be directed to DESC-EC, Dayton, Ohio 45444, or telephone (513) 296-5377.

STANDARD MICROCIRCUIT DRAWING DEFENSE ELECTRONICS SUPPLY CENTER DAYTON, OHIO 45444	SIZE A		5962-92252
		REVISION LEVEL B	SHEET 33

DESC FORM 193A
 JUL 94

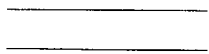
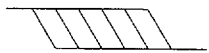
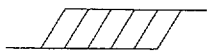
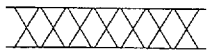
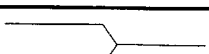
■ 9004708 0016127 T87 ■

6.5 Abbreviations, symbols, and definitions. The abbreviations, symbols, and definitions used herein are defined in MIL-PRF-38535, MIL-STD-1331, and as follows:

V _{CC}	-----	+5.0 V SUPPLY VOLTAGE
GND	-----	GROUND
CCLK	-----	CONFIGURATION CLOCK
DONE	-----	DONE
PROGRAM	-----	PROGRAM
RDY/BUSY	-----	During peripheral parallel mode configuration, this pin indicates when the chip is ready for another byte of data to be written into it. After configuration is complete, this pin becomes a user programmed I/O pin.
RCLK	-----	READ CLOCK
M0	-----	MODE 0
M1	-----	MODE 1
M2	-----	MODE 2
TDO	-----	TEST DATA OUTPUT
TDI	-----	TEST DATA IN
TCK	-----	TEST CLOCK
TMS	-----	TEST MODE SELECT
HDC	-----	HIGH DURING CONFIGURATION
LDC	-----	LOW DURING CONFIGURATION
INIT	-----	INIT
PGCK1-PGCK4	-----	PRIMARY GLOBAL INPUTS
CS0	-----	CHIP SELECT, WRITE
CS1	-----	CHIP SELECT, WRITE
WS	-----	WRITE STROBE
RS	-----	READ STROBE
A0-A17	-----	ADDRESS
D0-D7	-----	DATA
DIN	-----	DATA INPUT
DOUT	-----	DATA OUTPUT
I/O	-----	INPUT/OUTPUT

6.5.1 Timing Limits. The table of timing values shows either a minimum or a maximum limit for each parameter. Input requirements are specified from the external system point of view. Thus, address setup time is shown as a minimum since the system must supply at least that much time (even though most devices do not require it). On the other hand, responses from the memory are specified from the device point of view. Thus, the access time is shown as a maximum since the device never provides data later than that time.

6.5.2 Waveforms.

Waveform symbol	Input	Output
	MUST BE VALID	WILL BE VALID
	CHANGE FROM H TO L	WILL CHANGE FROM H TO L
	CHANGE FROM L TO H	WILL CHANGE FROM L TO H
	DON'T CARE ANY CHANGE PERMITTED	CHANGING STATE UNKNOWN
		HIGH IMPEDANCE

STANDARD MICROCIRCUIT DRAWING DEFENSE ELECTRONICS SUPPLY CENTER DAYTON, OHIO 45444	SIZE A		5962-92252
		REVISION LEVEL B	SHEET 34

DESC FORM 193A
JUL 94

9004708 0016128 913

6.6 One part - one part number system. The one part - one part number system described below has been developed to allow for transitions between identical generic devices covered by the three major microcircuit requirements documents (MIL-H-38534, MIL-PRF-38535, and 1.2.1 of MIL-STD-883) without the necessity for the generation of unique part numbers. The three military requirements documents represent different class levels, and previously when a device manufacturer upgraded military product from one class level to another, the benefits of the upgraded product were unavailable to the Original Equipment Manufacturer (OEM), that was contractually locked into the original unique part number. By establishing a one part number system covering all three documents, the OEM can acquire to the highest class level available for a given generic device to meet system needs without modifying the original contract parts selection criteria.

<u>Military documentation format</u>	<u>Example PIN under new system</u>	<u>Manufacturing source listing</u>	<u>Document listing</u>
New MIL-H-38534 Standard Microcircuit Drawings	5962-XXXXZZ(H or K)YY	QML-38534	MIL-BUL-103
New MIL-PRF-38535 Standard Microcircuit Drawings	5962-XXXXZZ(Q or V)YY	QML-38535	MIL-BUL-103
New 1.2.1 of MIL-STD-883 Standard Microcircuit Drawings	5962-XXXXZZ(M)YY	MIL-BUL-103	MIL-BUL-103

6.7 Additional operating data.

BUFFER SWITCHING CHARACTERISTICS

Test	Symbol	Conditions -55°C ≤ T _C ≤ +125°C 4.5 V ≤ V _{CC} ≤ 5.5 V unless otherwise specified	Group A subgroups	Device type	Limits		Unit
					Min	Max	
TBUF driving a horizontal Longline (L.L.) I to L.L. while T is low (buffer active)	T _{I01}	See note.	N/A	01,02		10	ns
				03		7	
TBUF driving a horizontal Longline (L.L.) I going low to L.L. going from resistive pull up high to active low, (TBUF configured as open drain	T _{I02}		N/A	01,02		10.5	ns
				03		7.5	
T going low to L.L. active and valid	T _{ON}		N/A	01,02		12	ns
				03		10	
T to L.L. inactive	T _{OFF}		N/A	01,02		3	ns
				03		2	
T going high to L.L. (inactive) with single pull-up resistor	T _{PUS}		N/A	01,02		26	ns
				03		22	
T going high to L.L. (inactive) with pair of pull-up resistors	T _{PUF}		N/A	01,02		12	ns
				03		10	

NOTE: These values are typical. They are not tested, characterized, or guaranteed but are derived from benchmark timing patterns.

6.8 Sources of supply.

6.8.1 Sources of supply for device classes Q and V. Sources of supply for device classes Q and V are listed in QML-38535. The vendors listed in QML-38535 have submitted a certificate of compliance (see 3.6 herein) to DESC-EC and have agreed to this drawing.

6.8.2 Approved sources of supply for device class M. Approved sources of supply for class M are listed in MIL-BUL-103. The vendors listed in MIL-BUL-103 have agreed to this drawing and a certificate of compliance (see 3.6 herein) has been submitted to and accepted by DESC-EC.

STANDARD MICROCIRCUIT DRAWING DEFENSE ELECTRONICS SUPPLY CENTER DAYTON, OHIO 45444	SIZE A		5962-92252
		REVISION LEVEL B	SHEET 35

DESC FORM 193A
JUL 94

■ 9004708 0016129 85T ■