

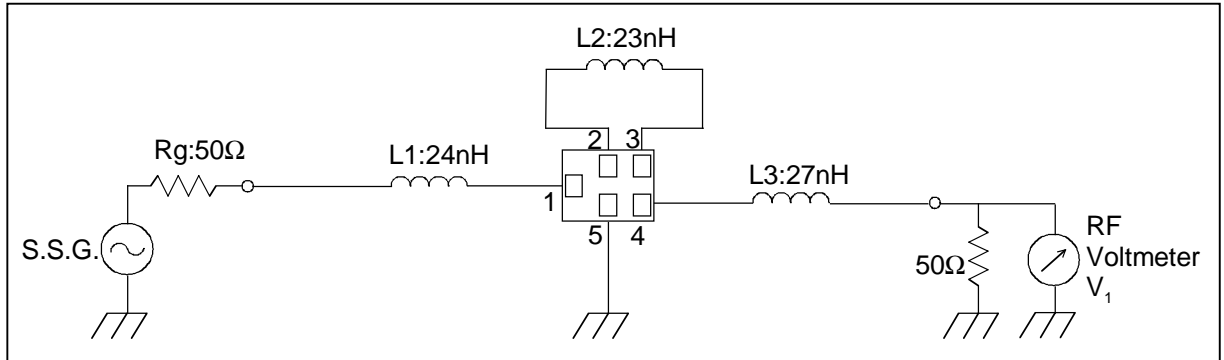
SAW REJECTION FILTER FOR DVB-H

Murata part number : SAEEB897MBA0B00

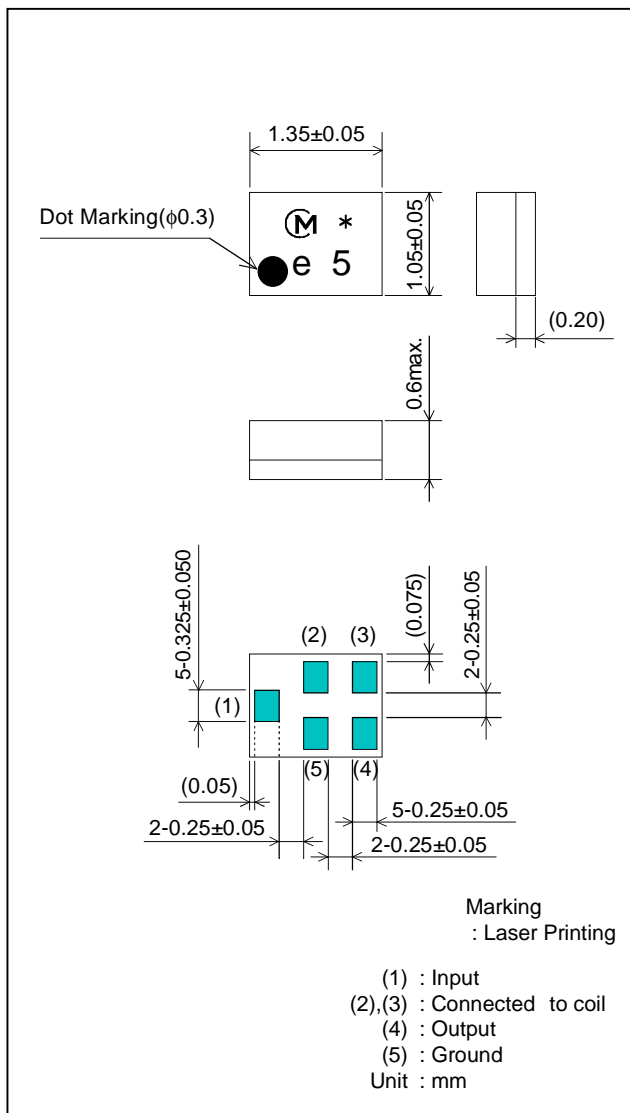
Feature

1. Passband : 470 to 750MHz (Band pass filter type)
2. Rejection Band : 880 to 915MHz (49dB Typ.) 1710 to 1980MHz (41dB Typ.)
3. Low insertion Loss (1.8dB Typ. at 750MHz)
4. Ultra Small SMD package (1.35x1.05x0.6mm package)

Test Circuit



Package Dimensions



Specification

Item	Specification		
	-30 to 85°C	25±2°C	typ.
Nominal Center Frequency(f_c)	897.5MHz		
Insertion Loss			
1) 174 to 230 MHz	15 dB min.	15 dB min.	18 dB
2) 470 to 750 MHz	2.2 dB max.	2.0 dB max.	1.8 dB
3) 880 to 915 MHz	44 dB min.	45 dB min.	49 dB
4) 1710 to 1785 MHz	35 dB min.	35 dB min.	41 dB
5) 1920 to 1980 MHz	40 dB min.	40 dB min.	47 dB

Recommended Coils

L1 : LQW15AN24NG00 (24nH±2%)

L2 : LQW15AN23NG00 (23nH±2%)

L3 : LQW15AN27NG00 (27nH±2%)

Size:1005 muRata

SAW REJECTION FILTER FOR DVB-H

Murata part number : SAEEB897MBA0B00

■ Frequency Performance

