

PLEASE CHECK WWW.MOLEX.COM FOR LATEST PART INFORMATION

Part Number: **0512385014**
Status: **Active**
Description: CRC™ Shielded Rectangular I/O Receptacle Housing for Female Terminal, Signal, 50 Circuits, Polarization Type C, Polarization Position D-6

Documents:

[Drawing \(PDF\)](#) [Product Specification PS-51238-017 \(PDF\)](#)
[Product Specification PS-51238-016 \(PDF\)](#) [RoHS Certificate of Compliance \(PDF\)](#)

Agency Certification

CSA	LR19980
TUV	R72081037
UL	E29179

General

Product Family	I/O Connectors
Series	51238
Application	Panel-Mount, Wire-to-Wire
Component Type	Housing
Product Name	CRC™
Type	N/A

Physical

Boot Color	N/A
Circuits (Loaded)	N/A
Circuits (maximum)	50
Color - Resin	Gray
Durability (mating cycles max)	100
Flammability	94V-0
Gender	Receptacle
Keying to Mating Part	Yes
Lock to Mating Part	Yes
Material - Metal	Stainless Steel
Material - Plating Mating	n/a
Material - Resin	Polyester
Number of Rows	10
Orientation	Vertical
PCB Locator	No
Packaging Type	Tray
Panel Mount	Front, Rear
Pitch - Mating Interface (in)	0.118 In
Pitch - Mating Interface (mm)	3.00 mm
Pitch - Term. Interface (in)	0.118 In
Pitch - Term. Interface (mm)	3.00 mm
Polarized to Mating Part	Yes
Polarized to PCB	N/A
Ports	1
Surface Mount Compatible (SMC)	N/A
Temperature Range - Operating	-40°C to +105°C
Termination Interface: Style	N/A
Waterproof / Dustproof	No

Electrical

Current - Maximum per Contact	1.5A, 1A, 2.5A, 2A
Shielded	No
Voltage - Maximum	250V AC (RMS)/DC



image - Reference only

EU RoHS

ELV and RoHS Compliant
REACH SVHC Contains SVHC: No
Halogen-Free Status
Not Reviewed

China RoHS



Need more information on product environmental compliance?

Email productcompliance@molex.com
 For a multiple part number RoHS Certificate of Compliance, [click here](#)

Please visit the [Contact Us](#) section for any non-product compliance questions.

Search Parts in this Series

51238Series

Mates With

51234-501X plug housing|55836-500X plug assembly set

Use With

56377-500* receptacle shell|56120 and 56121 female terminal (low-insertion force type)

Material Info

Reference - Drawing Numbers

Product Specification

Sales Drawing

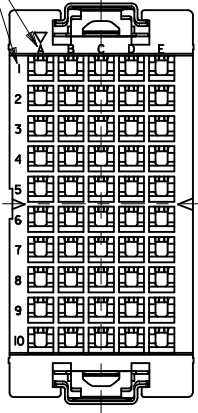
PS-51238-016, PS-51238-017

SD-51238-015

This document was generated on 04/12/2010

PLEASE CHECK WWW.MOLEX.COM FOR LATEST PART INFORMATION

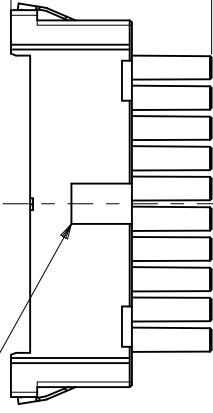
回路番号表示
CKT.No.IDENTIFICATION



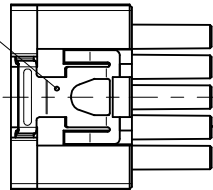
電線挿入側
WIRE SIDE

シエル挿入方向キー
POLARIZATIONS KEY FOR SHELL

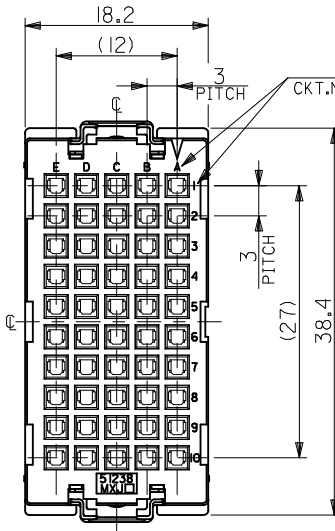
19.9



②



嵌合側
MATING SIDE



回路番号表示
CKT.No.IDENTIFICATION

シエル挿入方向キー
POLARIZATIONS KEY FOR SHELL

注記
NOTES

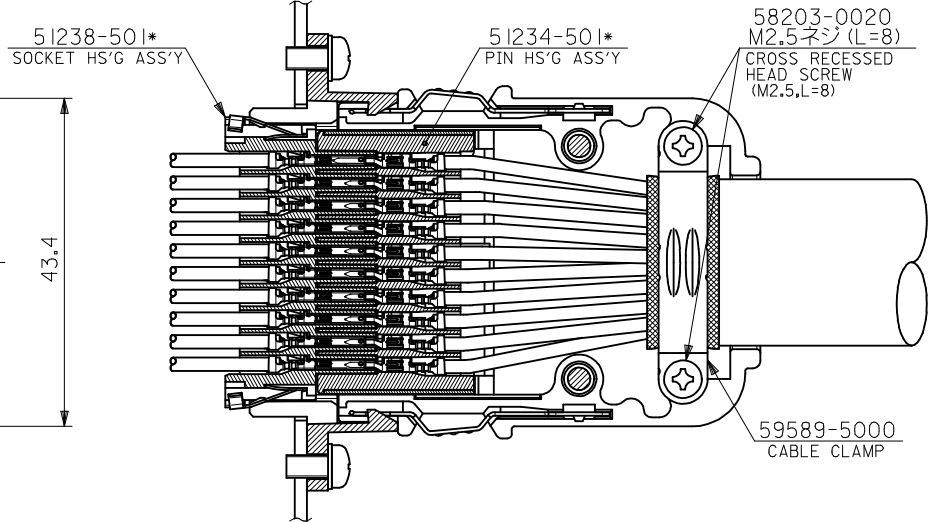
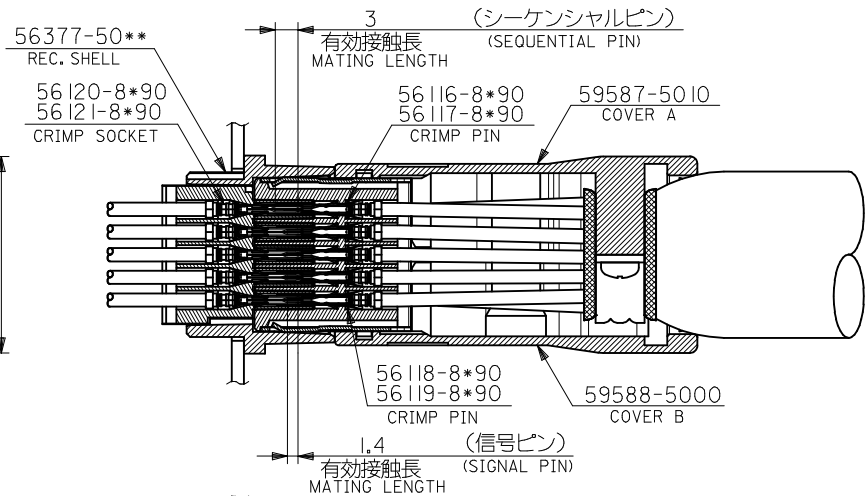
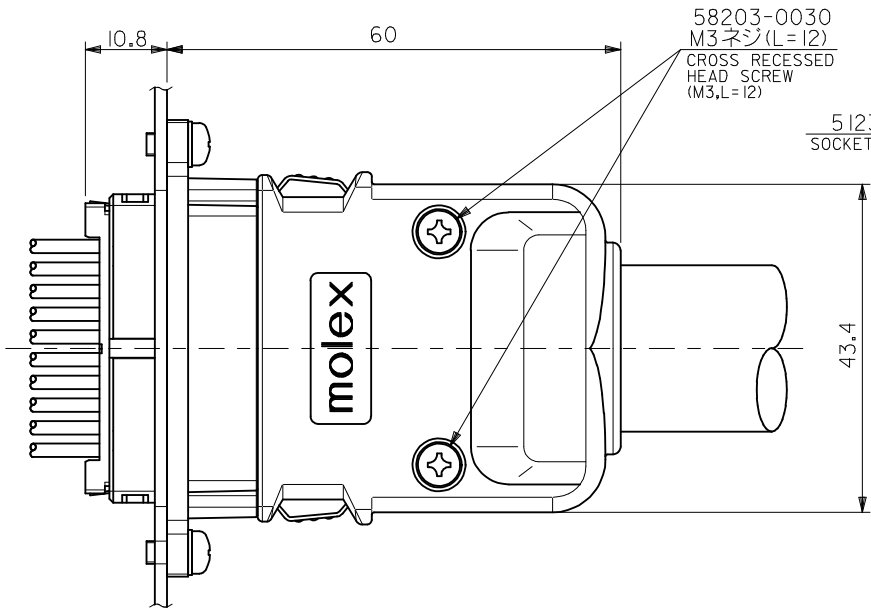
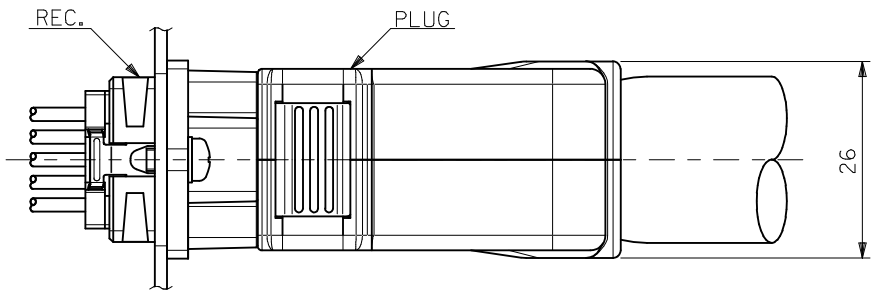
- 材質
MATERIAL
①ハウジング：ガラス入りPBT樹脂
HOUSING : PBT G.F.
UL94V-0 色：灰
UL94V-0 COLOR : GRAY
- ②スプリング：ステンレス鋼 t0.3
SPRING : STAINLESS STEEL t0.3
- 適用端子：56120-8*90, 56121-8*90
APPLICABLE CRIMP PIN : 56120-8*90, 56121-8*90
- 適用リセプタクル シエル：56377-50**
APPLICABLE RECEPTACLE SHELL : 56377-50**
- 嵌合相手：51234-501*
MEET WITH : 51234-501*

<誤嵌合防止キー(極性)タイプ> <POLARITY KEY TYPE>

51238-5011	51238-5012	51238-5013	51238-5014	51238-5015
STANDARD TYPE	A TYPE	B TYPE	C TYPE	D TYPE

D-6	C	51238-5014	51238-***1*	50
C-6	B	51238-5013		
C-5	STANDARD	51238-5011		
POLARITY POSITION (CIRCUIT NO.)	POLARITY TYPE	MATERIAL NO.	MODEL NO.	CIRCUIT

REVISED EC NO: J2009-1234 DRWN: YOSHIDAM 2008/12/15 CHKD: THARUYAMA 2008/12/15 APPR: NUKITA 2008/12/16	DESCRIPTION REV	GENERAL TOLERANCES (UNLESS SPECIFIED)		DIMENSION STYLE MM ONLY		SCALE ---	DESIGN UNITS METRIC	THIRD ANGLE PROJECTION	
		10 UNDER	±0.2	DRAWN BY S. AKIYAMA	DATE '02/01/21	TITLE COMPACT ROBOT CONN. 50CKT. REC. SOCKET HS'G ASS'Y			
		10 OVER 30 UNDER	±0.25	CHECKED BY J. MIYAZAWA	DATE '02/01/21	MOLEX INCORPORATED			
		30 OVER	±0.3	APPROVED BY Y. ITO	DATE '02/01/21	MATERIAL NO. SEE TABLE DOCUMENT NO. SD-51238-015 SHEET NO. 1 OF 4			
		ANGULAR ±3 °	DRAFT WHERE APPLICABLE MUST REMAIN WITHIN DIMENSIONS		THIS DRAWING CONTAINS INFORMATION THAT IS PROPRIETARY TO MOLEX INCORPORATED AND SHOULD NOT BE USED WITHOUT WRITTEN PERMISSION				

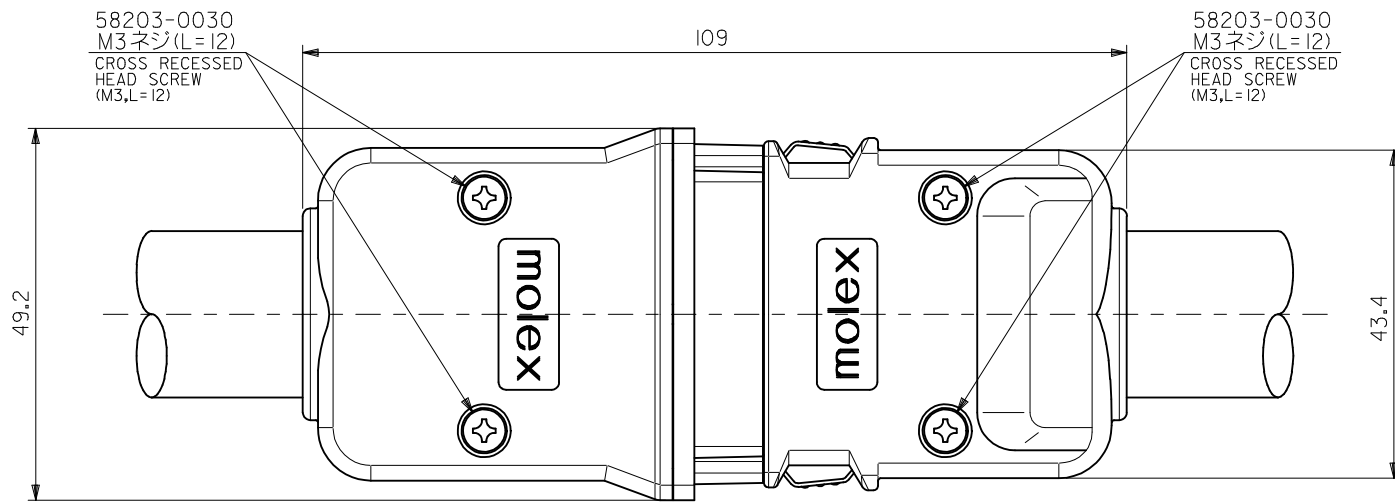
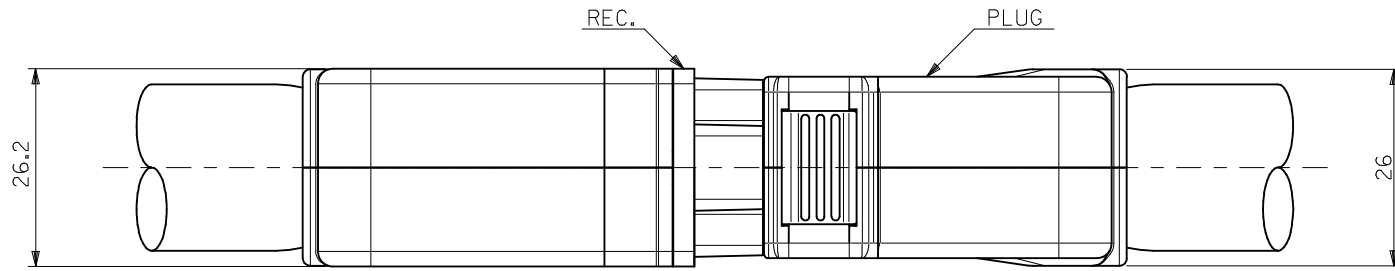


嵌合図

CROSS-SECTION VIEW OF MATED CONNECTOR

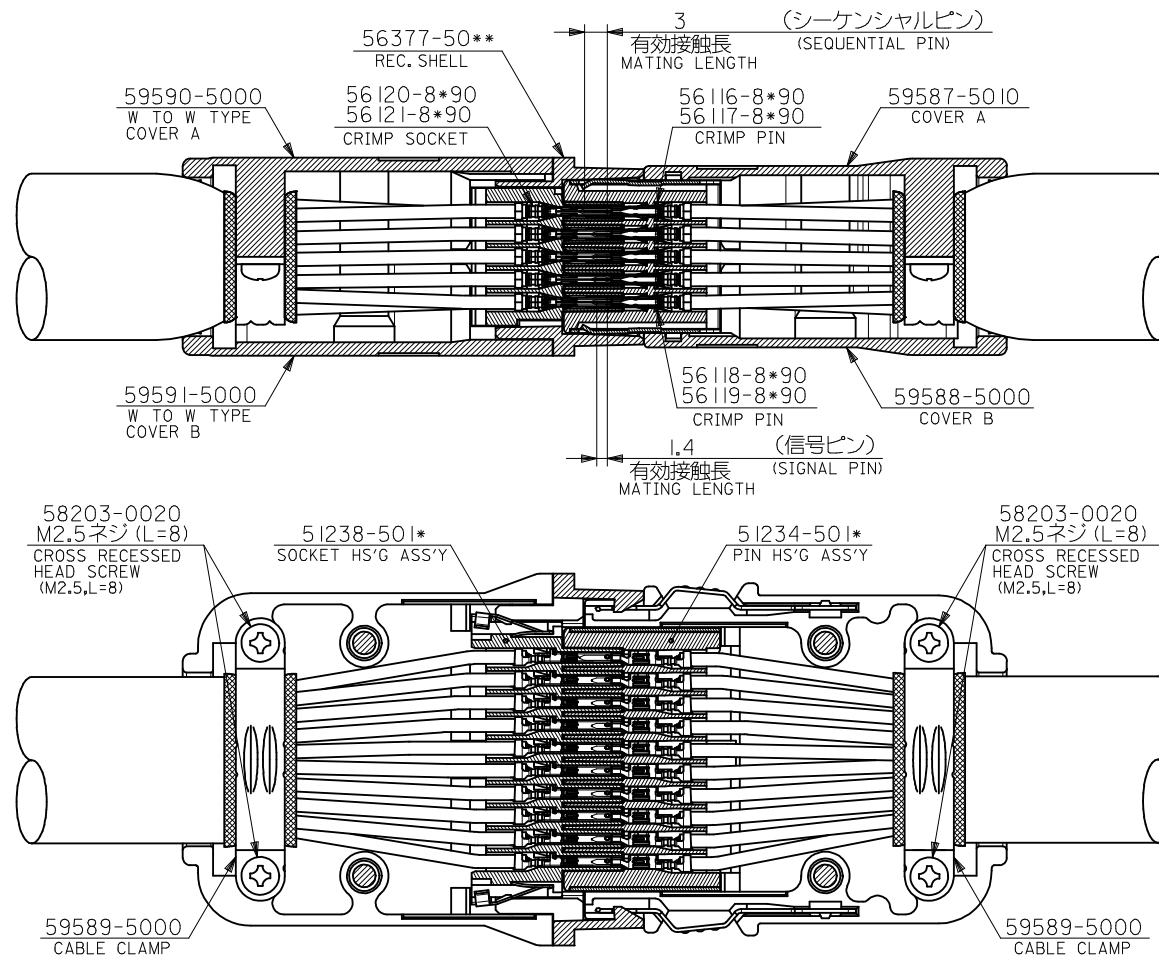
REVISED EC NO: J2009-1234 DRWN: YOSHIDAM 2008/12/15 CHKD: THARUYAMA 2008/12/15 APPR: NUKITA 2008/12/16	GENERAL TOLERANCES (UNLESS SPECIFIED)		DIMENSION STYLE MM ONLY		SCALE ---	DESIGN UNITS METRIC	THIRD ANGLE PROJECTION
	10 UNDER	±0.2	DRAWN BY A. SHIMOTSU	DATE '02/01/29	TITLE COMPACT ROBOT CONN. 50CKT. REC. SOCKET HS'G ASS'Y		
	10 OVER 30 UNDER	±0.25	CHECKED BY J. MIYAZAWA	DATE '02/01/29	MOLEX INCORPORATED		
	30 OVER	±0.3	APPROVED BY Y. ITO	DATE '02/01/29	MATERIAL NO. SEE SHEET 1	DOCUMENT NO. SD-51238-015	SHEET NO. 2 OF 4
	ANGULAR ±3 °	THIS DRAWING CONTAINS INFORMATION THAT IS PROPRIETARY TO MOLEX INCORPORATED AND SHOULD NOT BE USED WITHOUT WRITTEN PERMISSION					
	DRAFT WHERE APPLICABLE MUST REMAIN WITHIN DIMENSIONS						

10 9 8 7 6 5 4 3 2 1



嵌合図 (中継タイプ)
CROSS-SECTION VIEW OF MATED CONNECTOR
(WIRE TO WIRE TYPE)

REVISED EC NO: J2009-1234 DRWN: YOSHIDAM 2008/12/15 CHKD: THARUYAMA 2008/12/15 APPR: NUKITA 2008/12/16	GENERAL TOLERANCES (UNLESS SPECIFIED)		DIMENSION STYLE MM ONLY		SCALE ---	DESIGN UNITS METRIC	THIRD ANGLE PROJECTION	
	10 UNDER	±0.2	DRAWN BY S. AKIYAMA	DATE '02/01/29	TITLE COMPACT ROBOT CONN. 50CKT. REC. SOCKET HS'G ASS'Y			
	10 OVER 30 UNDER	±0.25	CHECKED BY J. MIYAZAWA	DATE '02/02/04	MOLEX INCORPORATED			
	30 OVER	±0.3	APPROVED BY Y. ITO	DATE '02/02/04	MATERIAL NO. SEE SHEET 1	DOCUMENT NO. SD-51238-015	SHEET NO. 3 OF 4	
	ANGULAR ±3 °	THIS DRAWING CONTAINS INFORMATION THAT IS PROPRIETARY TO MOLEX INCORPORATED AND SHOULD NOT BE USED WITHOUT WRITTEN PERMISSION						
	DRAFT WHERE APPLICABLE MUST REMAIN WITHIN DIMENSIONS							



嵌合図 (中継タイプ)
CROSS-SECTION VIEW OF MATED CONNECTOR
(WIRE TO WIRE TYPE)

REVISED EC NO.: J2009-1234 DRWN: YOSHIDAM 2008/12/15 CHKD: THARUYAMA 2008/12/15 APPR: NUKITA 2008/12/16	DESCRIPTION REV	GENERAL TOLERANCES (UNLESS SPECIFIED)		DIMENSION STYLE MM ONLY		SCALE ---	DESIGN UNITS METRIC	THIRD ANGLE PROJECTION	
		10 UNDER	±0.2	DRAWN BY S. AKIYAMA	DATE '02/01/29	TITLE COMPACT ROBOT CONN. 50CKT. REC. SOCKET HS'G ASS'Y			
		10 OVER 30 UNDER	±0.25	CHECKED BY J. MIYAZAWA	DATE '02/02/04	MOLEX INCORPORATED			
		30 OVER	±0.3	APPROVED BY Y. ITO	DATE '02/02/04	MATERIAL NO. SEE SHEET 1		DOCUMENT NO. SD-51238-015	SHEET NO. 4 OF 4
		ANGULAR	±3 °	THIS DRAWING CONTAINS INFORMATION THAT IS PROPRIETARY TO MOLEX INCORPORATED AND SHOULD NOT BE USED WITHOUT WRITTEN PERMISSION					
		DRAFT WHERE APPLICABLE MUST REMAIN WITHIN DIMENSIONS							