

isc Silicon NPN Darlington Power Transistor

2SD1756

DESCRIPTION

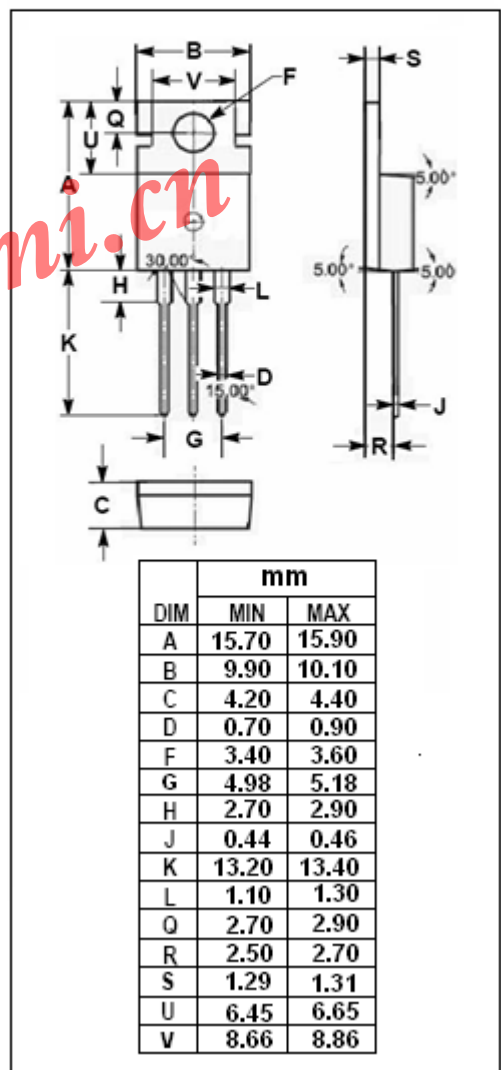
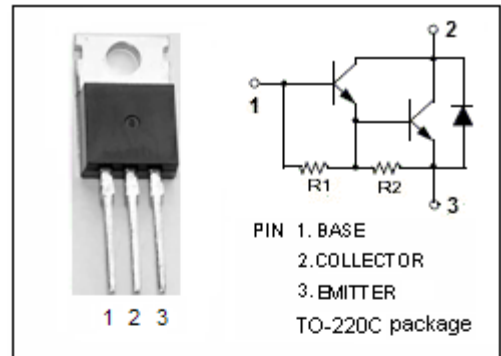
- Collector-Emitter Sustaining Voltage-
: $V_{CEO(SUS)} = 170V(\text{Min})$
- High DC Current Gain
: $h_{FE} = 1500(\text{Min}) @ I_C = 5A$
- Low Collector Saturation Voltage

APPLICATIONS

- Designed for high voltage high current amplifier applications.

ABSOLUTE MAXIMUM RATINGS($T_a=25^\circ\text{C}$)

SYMBOL	PARAMETER	VALUE	UNIT
V_{CBO}	Collector-Base Voltage	200	V
V_{CEO}	Collector-Emitter Voltage	200	V
V_{EBO}	Emitter-Base Voltage	7	V
I_C	Collector Current-Continuous	10	A
I_{CP}	Collector Current-Peak	15	A
P_C	Collector Power Dissipation @ $T_C=25^\circ\text{C}$	40	W
T_J	Junction Temperature	150	$^\circ\text{C}$
T_{stg}	Storage Temperature Range	-55~150	$^\circ\text{C}$



isc Silicon NPN Darlington Power Transistor**2SD1756****ELECTRICAL CHARACTERISTICS** $T_C=25^\circ\text{C}$ unless otherwise specified

SYMBOL	PARAMETER	CONDITIONS	MIN	TYP.	MAX	UNIT
$V_{CE(SUS)}$	Collector-Emitter Sustaining Voltage	$I_C=5\text{A}; L=5\text{mH}$	170			V
$V_{(BR)CEO}$	Collector-Emitter Breakdown Voltage	$I_C=25\text{mA}; R_{BE}=\infty$	200			V
$V_{(BR)EBO}$	Emitter-Base Breakdown Voltage	$I_E=50\text{mA}; I_C=0$	7			V
$V_{CE(sat)-1}$	Collector-Emitter Saturation Voltage	$I_C=5\text{A}; I_B=10\text{mA}$			1.5	V
$V_{CE(sat)-2}$	Collector-Emitter Saturation Voltage	$I_C=10\text{A}; I_B=100\text{mA}$			3.5	V
$V_{BE(sat)-1}$	Base-Emitter Saturation Voltage	$I_C=5\text{A}; I_B=10\text{mA}$			2.0	V
$V_{BE(sat)-2}$	Base-Emitter Saturation Voltage	$I_C=10\text{A}; I_B=100\text{mA}$			4.0	V
I_{CEO}	Collector Cutoff Current	$V_{CE}=180\text{V}; R_{BE}=\infty$			500	μA
h_{FE}	DC Current Gain	$I_C=5\text{A}; V_{CE}=3\text{V}$	1500			

Switching times

t_{on}	Turn-on Time	$I_C=5\text{A}; I_{B1}=-I_{B2}=10\text{mA}; V_{CC}=30\text{V}$		0.9		μs
t_{stg}	Storage Time			8.0		μs
t_f	Fall Time			3.5		μs