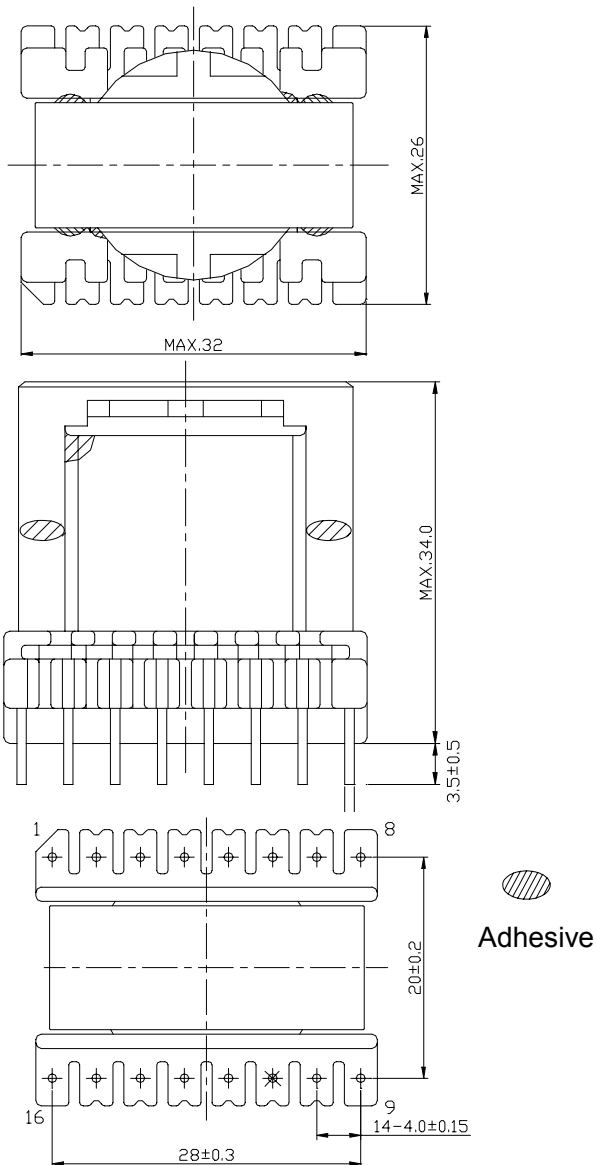
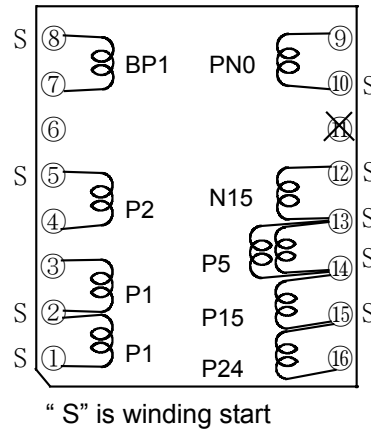


**Type: ER2831**
**◆ Product Description**

- 32.0×26.0mm Max.(L×W), 34.0mm Max. Height.
- In addition to the typical versions of parameters shown here, custom designs are available to meet your exact requirements

**◆ Feature**

- Max. Operating frequency 500kHz. Max. Operating power 40.0W(500kHz)
- Ideally used in Switching power supply etc.
- RoHS Compliance

**◆ Dimensions (mm)**

**◆ Schematics (Bottom)**

**◆ Specification**

Sample NO.	P02NZ-060
Inductance (1-3) (1kHz)	3.4mH±15%
Leakage Inductance (1-3) (9-16)Be Shorted (1kHz)	180 μ H Max.
Hi-POT(50/60Hz,2mA) (P1-PNO)/(P1-P24)	AC 2800Vrms
Hi-POT(50/60Hz,2mA) (Core-Coil)/(P1-BP18)	AC 2000Vrms
Hi-POT(50/60Hz,2mA) (P1-P2)/(PNO-P24)	AC 500Vrms

\* Pin pitch shall be measured at the root of terminal.